



Bimetal thermometer for Air ducts, with back flange
Heavy version, Back connection, Class 2.0

TB-HW Bi010

Rel. 20180713

- Case:** Steel zinced
Optional: Diam. 100 stainless steel AISI 304
- Bezel:** Steel nickel plated
Optional: Diam. 100 stainless steel AISI 304
- Protection class:** IP 43
- Dial:** Aluminium, white varnished
lettering and graduation black
Optional: Red mark
Optional: Imprint
Optional: Double scale °C/°F
- Pointer:** Aluminium, black
adjustable at end of stem
Optional: Silicone damped
- Window:** Instrument glass
Optional: Perspex window
Optional: Laminated safety glass
Optional: Max. drag pointer
Optional: Max./Min. drag pointer
Optional: Red mark pointer
- Stem:** Brass Ø 9 mm
Optional: Stainless steel AISI 316 Ti
- Mounting method:** With back flange heavy version, flattened design
for surface mounting on air duct
Optional: Diam. 100 stainless steel, round design
Optional: With front flange chromed, for panel mounting
- Connection:** Backwards
- Measuring range:** 0-120°C
Optional: see table below
- Accuracy class:** 2.0
Optional: Accuracy class 1.0
Optional: Works test certificate

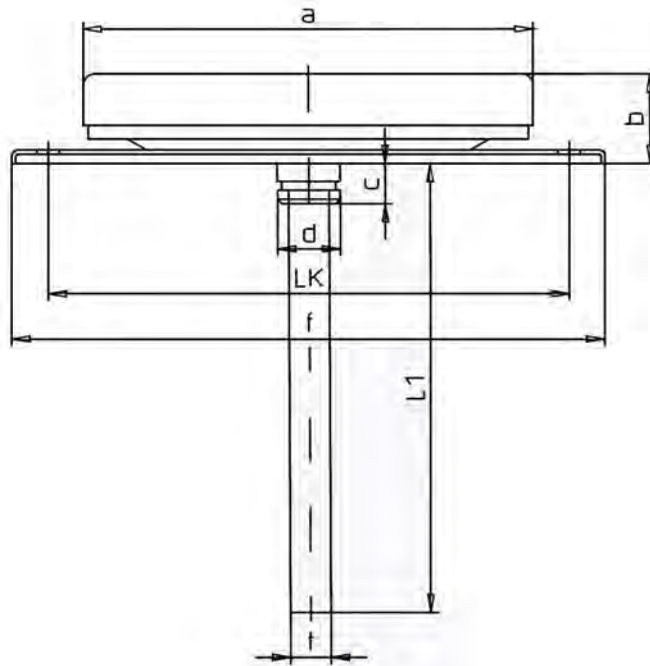


		Type numbers:			
Diam.:	mm	63	80	100	160
Stem	50 mm	1461	1481	1501	1561
Stem	100 mm	1462	1482	1502	1562
Stem	150 mm	1463	1483	1503	1563
Stem	200 mm	1464	1484	1504	1564
Stem	250 mm	1465	1485	1505	1565

Other lengths are available!

Measuring-range	Graduation
-40 +40°C	1°
-30 +50°C	
-20 +60°C	
-20 +40°C	
-15 +45°C	
-10 +60°C	
-10 +50°C	
0 -40°C	
0 -50°C	
0 -60°C	
0 -80°C	2°
0 -100°C	
0 -120°C	
0 -160°C	
0 -200°C	5°
0 -250°C	
0 -300°C	10°
0 -400°C	
1) 0 -500°C	
1) 0 -600°C	

1) stem stainless steel needed



Type	a	b	c	d	f	LK	t
1460	63	17	7	14	85	76	9
1480	80	21	7	14	110	95	9
1500	100	22	7	14	132	116	9
1560	160	23	7	14	190	182	9

Dimensions and technical data are conform to current company standard.
 Changes to improve our instruments will be made without preannouncement.