



**All stainless steel Bimetal thermometer
Back (and bottom) connection, Class 1.0**

TB-HW Bi004

Rel. 20180713

- Case:** Stainless steel AISI 304
- Bezel:** Stainless steel AISI 304
Optional: Diam. 80 and diam. 100 mm with crimped ring
Optional: Diam. 80 and diam. 100 mm with crimped ring and liquid filling (IP 65)
- Protection class:** IP 43
- Dial:** Aluminium, white varnished lettering and graduation black
Optional: Red mark
Optional: Imprint
Optional: Double scale °C/°F
- Pointer:** Aluminium, black adjustable at end of stem
Optional: Silicone damped
- Window:** Instrument glass
Optional: Perspex window
Optional: Laminated safety glass (diam. 63-160)
Optional: Max. drag pointer (diam. 63-160)
Optional: Max./Min. drag pointer (diam. 63-160)
Optional: Red mark pointer (diam. 63-160)
- Stem:** G 1/2 A stainless steel AISI 303, A/F 27, with fixing screw multi part welded, tube Ø 10 mm of AISI 316 Ti
Optional: Thread of AISI 316 Ti
Optional: other connections
- Connection:** Backwards
Optional: Bottom, case diam. 63 mm and 100 mm only



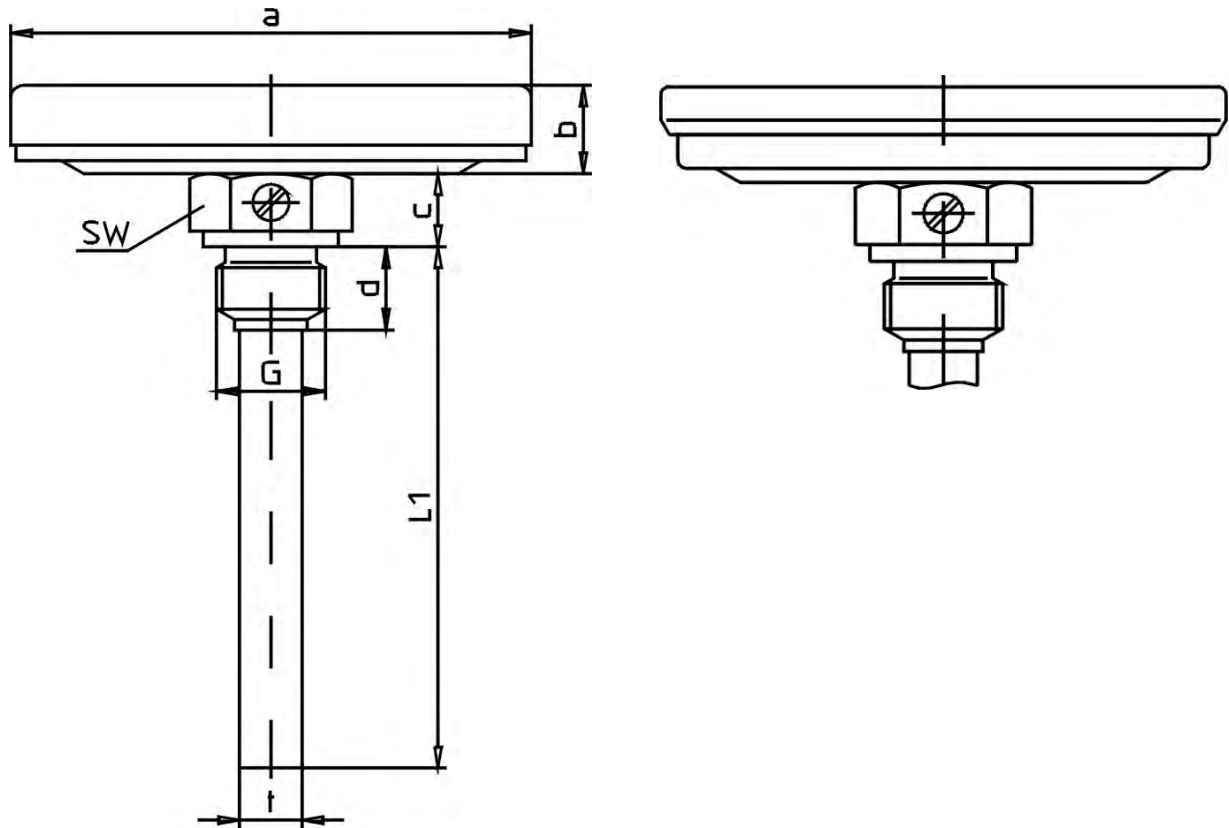
Measuring range: 0-120°C
Optional: see table below

Accuracy class: 1.0
Optional: Works test certificate

		Type number:						Measuring-range	Graduation		
Diam.:	mm	34	50	63	80	100	160				
Stem	28 mm	2930	2950	2960	2980	3000	3040	-40 +40°C -30 +50°C -20 +60°C -20 +40°C -15 +45°C -10 +60°C -10 +50°C 1) 0 -40°C 1) 0 -50°C 0 -60°C 0 -80°C	1°		
	45 mm	2931	2951	2961	2981	3001	3041				
50 mm	50 mm	2932	2952	2962	2982	3002	3042			0 -100°C 0 -120°C 0 -160°C 0 -200°C	2°
	63 mm	2933	2953	2963	2983	3003	3043				
80 mm	80 mm	2934	2954	2964	2984	3004	3044			0 -250°C 0 -300°C	5°
	100 mm	2935	2955	2965	2985	3005	3045				
120 mm	120 mm	2936	2956	2966	2986	3006	3046			0 -400°C 0 -500°C 0 -600°C	10°
	160 mm	2937	2957	2967	2987	3007	3047				
200 mm	200 mm	2938	2958	2968	2988	3008	3048				
	250 mm	2939	2959	2969	2989	3009	3049				

Other lengths are available! Stem 28 mm only 0-100 and 0-120°C available!

1) shortest stem length 63 mm



Type	a	b	c	d	SW	G	t
2930	34	9	14	14	27	½ A	10
2950	50	12	14	14	27	½ A	10
2960	63	13	14	14	27	½ A	10
2980	80	13	14	14	27	½ A	10
3000	100	15	14	14	27	½ A	10
3040	160	19	14	14	27	½ A	10

0	1	2	3	4	5	6	9
separate pocket with male thread and fixing screw	fixed connection male thread	union nut female thread	union nut with double nipple male thread	union nut with additional thermowell acc. to DIN 43 772 form 8	turnable male thread	movable clamp connection male thread	separate pocket for welding with fixing screw

Dimensions and technical data are conform to current company standard.
Changes to improve our instruments will be made without preannouncement.