



PA 440

Field Display

Functional range

- ▶ free scalable display
- ▶ switch mode, hysteresis, parameterizable deceleration of the contacts
- ▶ no external power supply necessary

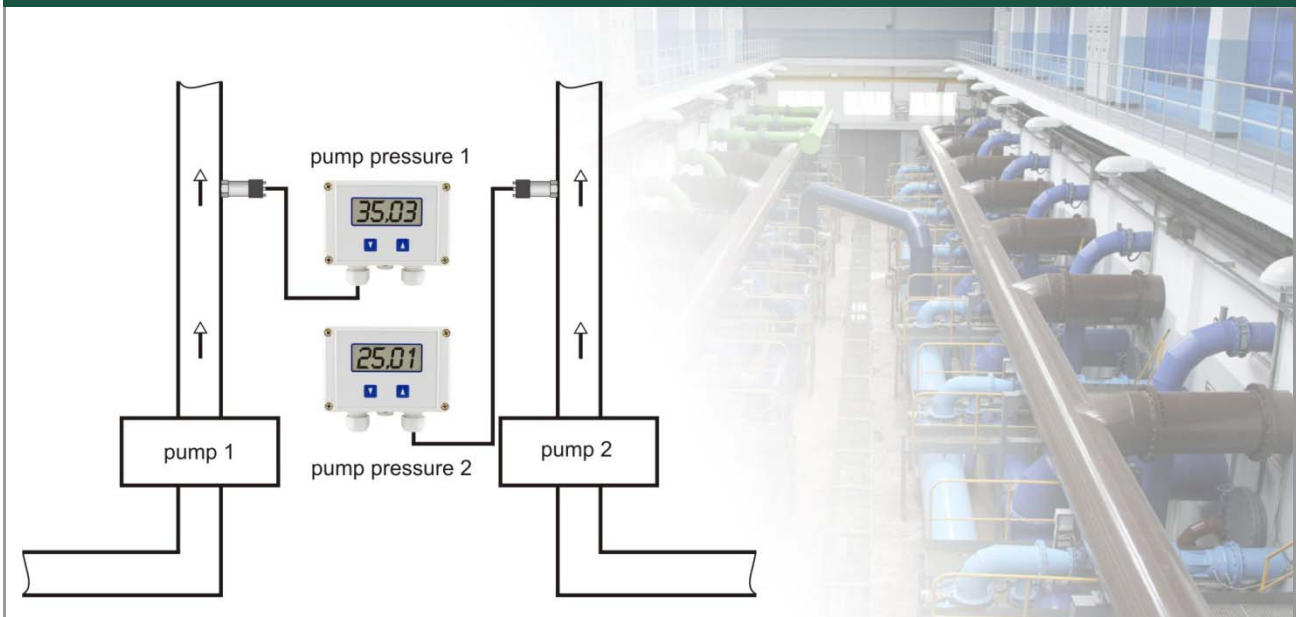
Product characteristics

- ▶ field display for pressure transmitter with output signal: 4 ... 20 mA / 2-wire or 0 ... 10 V / 3-wire
- ▶ 4-digit LC display
- ▶ plastic or aluminium housing
- ▶ pressure compensation element with PTFE-Filter

Optional versions

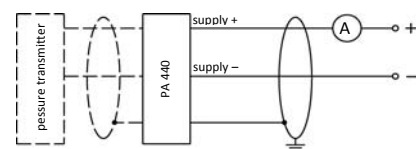
- ▶ IS-version
- ▶ 2 contacts
- ▶ 4-digit LED display

Typical application: in situ display at pumping stations



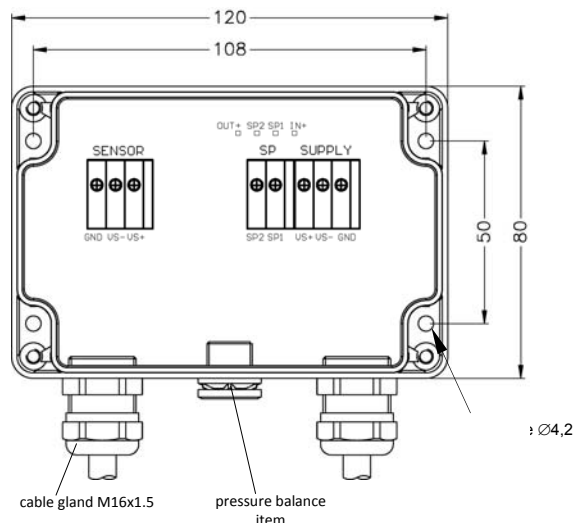
Analogue signal	
Standard	2-wire: 4 ... 20 mA
Option IS-version	2-wire: 4 ... 20 mA
Option 3-wire	0 ... 10 V (in preparation)
Accuracy	$\leq \pm 0.1\%$ FSO $\leq \pm 1$ digit
Supply	
2-wire system	supplied by current loop; voltage drop ≤ 6.5 V IS version: max. 28 V _{DC} (for combination with transmitter and PA 440)
3-wire system	display is supplied parallel with transmitter; V _S = 8 V _{DC} ... 36 V _{DC}
Contact (optionally for LED display)	
Number, type	2 independent PNP open collector contacts
Switching performance	contact rating max. 125 mA, short-circuit resistant
Switching frequency	max. 8/sec
Delay time	0 ... 100 sec
Miscellaneous	
Electrical protection	reverse polarity protection (no damage, but also no function); electromagnetic compatibility (emission and immunity according to EN 61326); short-circuit protection
Ingress protection	IP 65
Display	4-digit, 7-segment LC display, range of indication -1999 ... +9999; accuracy 0.2 % \pm 1 digit; standard: LC display, digit height 18 mm option: LED display, digit height 10 mm, red
Permissible temperatures	electronics / environment / storage: -20 ... 70 °C
Material display housing	standard: plastic ABS, grey option: aluminium die cast case, grey powder-coating
Cable entries	cable gland M16x1.5 Polyamide, seals NBR, diameter range: standard 5 ... 10 mm
Atmospheric pressure compensation	pressure compensation element with PTFE filter
Terminal clamps	vertical clamps for stranded and solid wires up to 2.5 mm ²
Dimensions (height x width x depth)	plastic housing: 80 mm x 120 mm x 57 mm aluminium die cast case: 80 mm x 125 mm x 57 mm
Weight	plastic housing: approx. 220 g aluminium die cast case: approx. 550 g
IS protection (optionally) – only in combination with LED display	
Approval AX15-PA 440	zone 1: II 2G Ex ia IIB T4
Safety technical maximum values	U _i = 28 V _{DC} , I _i = 93 mA, P _i = 660 mW

Wiring diagram

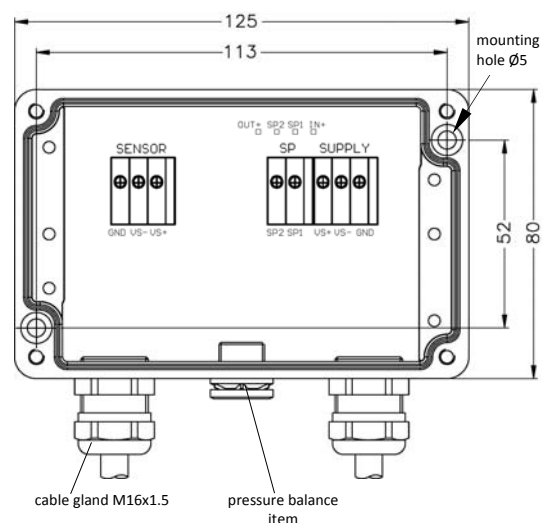


Dimensions (in mm)

plastic housing:



aluminium die cast case:





PA 440

PA 440

□□□-□-□-□-□-□-□-□

Standardversion		8	5	1																
Analogausgang																				
	4 ... 20 mA / 2-Leiter				1															
	Ex-Schutz für Zone 1 / 4 ... 20 mA / 2-Leiter				E															
	andere				9															auf Anfrage
Schaltausgang																				
	kein Schaltausgang				0															
	2 Schaltausgänge ¹				2															
Einheit																				
	ohne ²				0															
	bar				1															
	mbar				2															
	mH ₂ O				3															
	%				P															
	mA				A															
	andere				9															auf Anfrage
Beschriftung Anzeigen																				
	Standard				1															
	Neutral				N															
	andere				9															auf Anfrage
Anzeige																				
	LC-Display								C											
	LED-Display								D											
Gehäusematerial																				
	Kunststoff ABS								G											
	Aluminium								L											
Sonderausführungen																				
	Standard									0	0	0								
	Überspannungsschutz ³									1	0	1								
	andere									9	9	9								auf Anfrage

¹ nur in Kombination mit LED-Anzeige
² Einheitenschilder sind lose beigelegt
³ nicht möglich für Ex-Ausführung

Die Angaben dieser Preisliste enthalten die Spezifikation der Produkte, nicht die Zusicherung von Eigenschaften. Ausführliche Informationen zu den Bestelloptionen können dem Datenblatt entnommen werden. Technische Änderungen vorbehalten.