

Level rod probe LRP 250 (2-rod-probe)

Features

- Level rod probe as 2-rod probe for conductive level measurement
- Aseptical measuring point by process connection thread 1/2" BSP for modular welded sleeve- and process connection system
- EHEDG-conform, food safe material
- Definated position of screwing
- Rods can be cut

Technical specifications

- Connection head made of stainless steel 1.4305
- Food tangent sensor made of stainless steel 1.4571
- Optional food safe coating of PFA P16501 0,2mm
- Electrical connection with screwing or optional M12-plug
- Protection class IP69K
- Temperature range 0...150°C
- Max. operating pressure 10 bar
- Optional with level module LAM 2, see page 3

Application areas

- Fill level detection in cases and pipelines
- Dry running condition protection
- Empty / full announcement
- Simple, low-cost limit detection
- Simple level rejection possible
- Simple pumping rejection possible

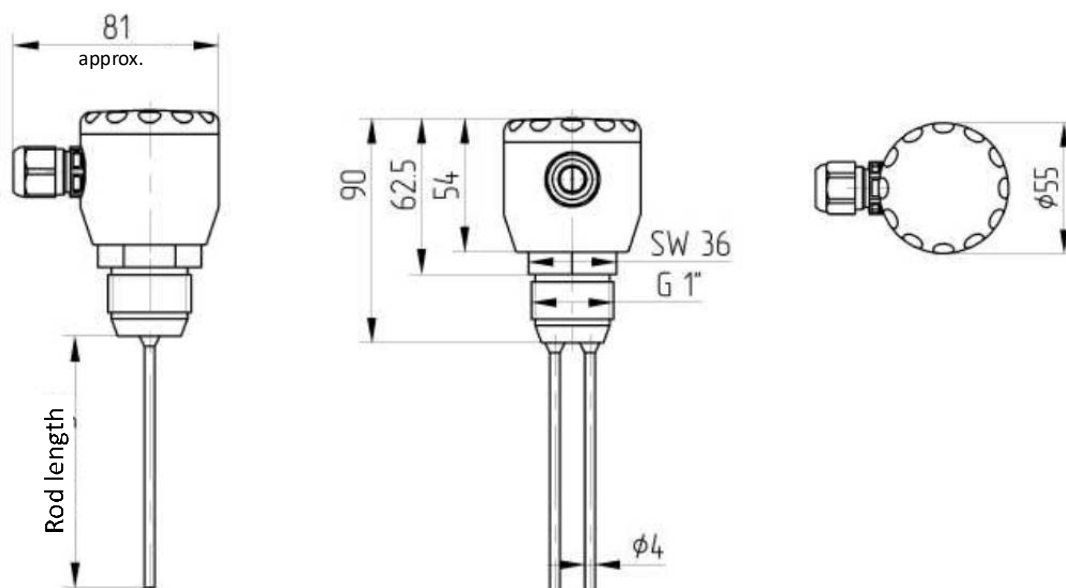
Product benefits

- Aseptic sealing system
- Food-safe materials (EHEDG-compliant)
- Rods can be cut in freely
- With PFA coating resistant to media adhesion
- Robust stainless steel head with protection class IP69K
- Integrated evaluation electronics possible (LAM 2, see page 3)



LRP 250-5-...

Technical drawing



Order-code LRP 250

order example: LRP 250-5-A100-B200-A-NA1

Connection heads

- 5 stainless steel head standard with screwing
- 6 stainless steel head standard with M12-plug

Length of rod 1. rod

- A2 2 mm length of rod
- AXX length of rod (XX=length in mm)

Length of rod 2. rod

- B2 2 mm length of rod
- BXX length of rod (XX=length in mm)

Design of rod

- A 4mm rod without coating
- B 4mm rod with teflon coating
- C 8mm rod without coating
- D 8mm rod with teflon coating

Optional

- NA2 with level evaluate module Type LAM 2 (see page 3)

Accessories

Welding sleeves

- 99-000195 ZEM 950, welding sleeve, cylinder, for 1" BSP sealing system, diameter 50 mm, hygienical process adaption

M12-connection wires

- 101090 connection cable M12 angled, 4-pole, 5 m PVC cable, grey
- 101087 connection cable M12 straight, 4-pole, 5 m PVC cable, grey

Other lengths available on request.

For more accessories, see accessories data sheet.

OPTION: Level evaluation module LAM 2

Features

- Level evaluation module for assembly in connection heads
- Conductive measuring methods
- Measuring areas adjustable by digital control input
- Module completely sealed
- Direct connection to SPS
- Full / empty announcement changeable by pole change

Technical specifications

- Housing made of PA6.6
- Temperature range -10...80°C
- Auxiliary supply 8...35 VDC, max. 50 mA
- Electrode voltage 2 VAC, 500 Hz
- Measuring areas 1K, 5K, 20K
- Output active commensurate to auxiliary supply
- Output max. 30 mA
- Switching deceleration approx. 0,5 s
- Dimensions 44 mm (D) x 22 mm incl. clamps

Setting-up advices

Adjustment of sensibility

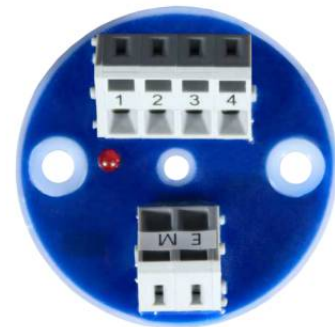
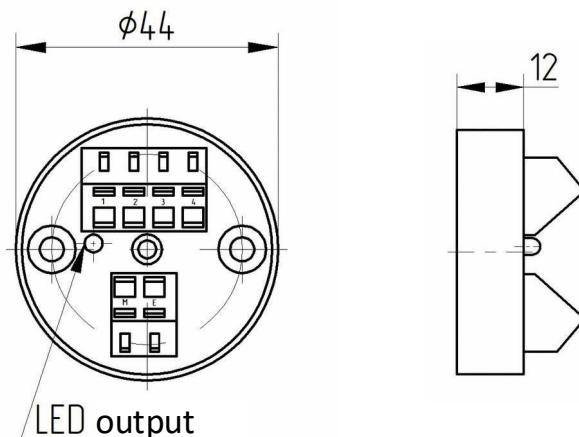
1. cover probe with medium to be measures
2. put control input „sensibility“ to position 1k schalten
3. if LED „output“ doesn't light, please choose censecutively 5k, 20k till LED „output“ lights

Adjustment of full / empty announcement

the change over of function full / empty announcement is carried out by pole change of supply voltage.

KL1+, KL2- function „full“: electrode is covered = output active
KL1-, KL2+ function „empty“: electrode is free = output active

Technical drawing

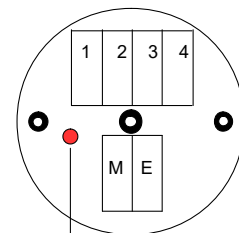


LAM 2

Connection

- 1 = Supply voltage
- 2 = Supply voltage
- 3 = Active output (24 VDC)
- 4 = Control input sensibility

M = Earth connection (barrier of case)
E = Electrode connection



LED output

Sensibility

Damp 4

- 0V = Range 1 K
- unswitched = Range 5 K
- 24V = Range 20K

Function full/empty

Damp 1,2

- Function full = Damp 1 +
Damp 2 -
- Function empty = Damp 1 -
Damp 2 +

Order-code LAM 2: NA2