

Level limit switch LLS 150

Features

- Level switch for fluid types
- Aseptical measuring point by process connection thread 1/2" BSP for modular welded sleeve- and process connection system
- EHEDG-conform, food safe material
- **Starting and adjustment by PC not necessary**
- Defined position of screwing

Technical specifications

- Connection head made of stainless steel 1.4305
- Food tangent sensor made of PEEK
- Process connection 1/2" BSP modulare system
- Electrical connection with screwing or optional M12-plug
- Protection class IP69K
- Auxiliary supply 12...35 VDC
- Output signal active, max 50 mA, short-circuit proof
- Switching function full/empty by polarity of auxiliary supply
- Temperature range 0...140°C process temperature for 30 min
- High temperature design with neck tube optional
- Temperature range connection head -20°C to +80°C
- Max. operating pressure 10 bar
- Optional with switching status LED
- Optional with neck tube for assembly in isolated cases or the like



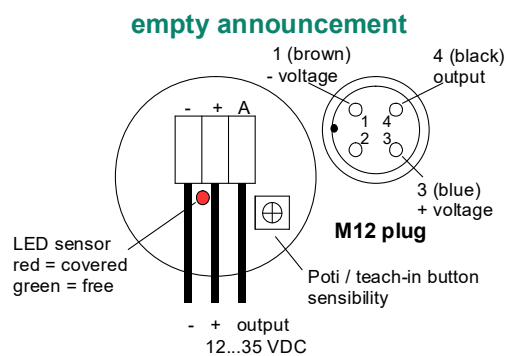
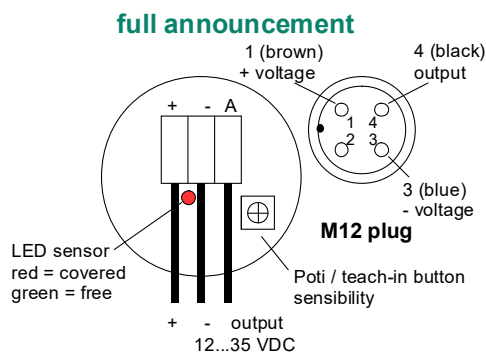
LLS 150-5-A-1

Application areas

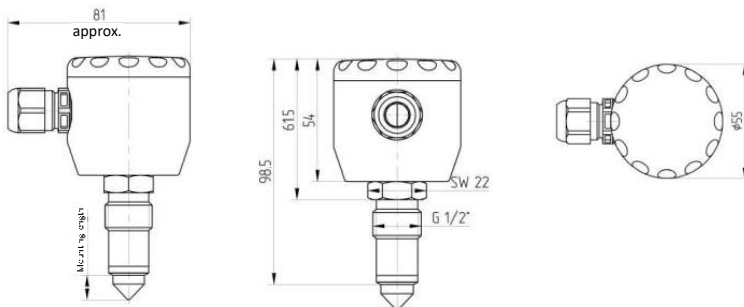
- Fill level detection in cases and pipelines
- Dry running condition protection
- Empty / full announcement

product benefits

- Aseptic sealing system
- Food-safe materials (EHEDG-compliant)
- Independence from the conductivity of the medium
- Fast learning possible via teach-in button
- Robust stainless steel head with protection class IP69K



Technical drawing



Order-code LLS 150

order example: LLS 150-5-A-1

Connection heads

- 5 stainless steel head standard with screwing
- 6 stainless steel head standard with M12-plug

Design

- A standard design
- B standard design with neck tube for high temperature demand
- C extended design for switchpoint with distance (attention, use extra sleeve for assembly)

Optional

- TI with teach-in
- 1 standard design
- 2 with extern switching status LED

Accessories

Welding sleeves

- 99-000191 KEM 150, welding sleeve, bullet, for 1/2" BSP sealing system, diameter 35 mm, hygienic process adaption
- 99-000193 ZEM 150, welding sleeve, cylinder, for 1/2" BSP sealing system, diameter 30 mm, hygienic process adaptation

M12-connection wires

- 101090 connection cable M12 angled, 4-pole, 5 m PVC cable, grey
- 101087 connection cable M12 straight, 4-pole, 5 m PVC cable, grey

Other lengths available on request.

For more accessories, see accessories data sheet.