



# 26.600 G

## OEM Pressure Transmitter Standard

### Applications:

- ▶ mechanical and plant engineering
- ▶ general industrial applications

### Characteristics:

- ▶ ceramic sensor
- ▶ accuracy 0.5 % FSO according to IEC 60770
- ▶ nominal pressure ranges from 0 ... 1 bar up to 0 ... 400 bar
- ▶ option: oil and grease free version

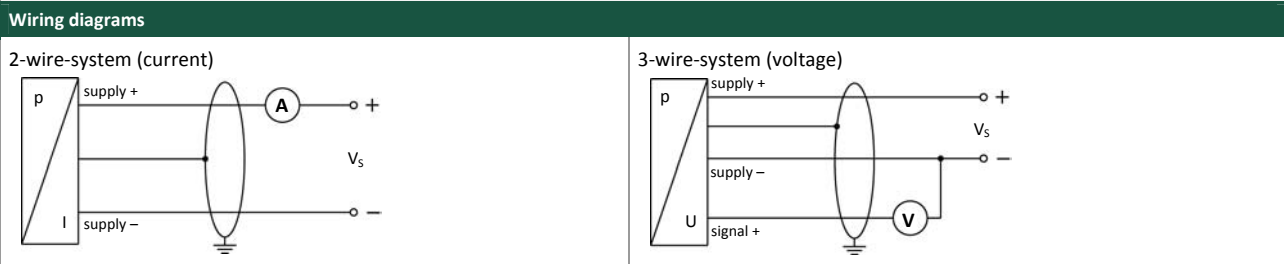
### Technical Data



Input pressure range																	
Nominal pressure gauge	[bar]	-1...0 <sup>1</sup>	1	1.6	2.5	4	6	10	16	25	40	60	100	160	250	400	
Nominal pressure abs.	[bar]	-	1	1.6	2.5	4	6	10	16	25	40	60	100	160	250	400	
Overpressure	[bar]	3	3	5	5	12	12	20	20	50	50	120	120	200	400	650	
Burst pressure ≥	[bar]	4	4	7	7	15	15	25	25	70	70	150	150	250	500	700	
Vacuum resistance		unlimited															
<sup>1</sup> for this pressure range accuracy is ≤ 1 % FSO IEC 60770																	
Output signal / Supply																	
Standard	2-wire:	4 ... 20 mA				/ V <sub>S</sub> = 8 ... 32 V <sub>DC</sub>											
Options	3-wire:	0 ... 10 V				/ V <sub>S</sub> = 14 ... 30 V <sub>DC</sub>											
	3-wire ratiometric:	V <sub>sig</sub> = 0.5 ... 4.5 V				/ V <sub>S</sub> = 5 ± 0.5 V <sub>DC</sub>											
Performance																	
Accuracy <sup>2</sup>		≤ ± 0.5 % FSO															
Permissible load	2-wire:	R <sub>max</sub> = [(V <sub>S</sub> - V <sub>S min</sub> ) / 0.02] Ω								3-wire: R <sub>min</sub> = 10 kΩ							
Influence effects	supply:	0.05 % FSO / 10 V								load: 0.05 % FSO / kΩ							
Response time	2-wire:	≤ 10 msec								3-wire: ≤ 3 msec							
Measuring rate		1 kHz															
<sup>2</sup> accuracy according to IEC 60770 – limit point adjustment (non-linearity, hysteresis, repeatability)																	
Thermal effects (Offset and Span) / Permissible temperatures																	
Thermal error		≤ ± 0.3 % FSO / 10 K				in compensated range: -25 ... 85 °C											
Permissible temperatures		medium: -25 ... 125 °C				electronics / environment: -25 ... 85 °C								storage: -40 ... 85 °C			
Electrical protection																	
Short-circuit protection		permanent				3-wire ratiometric: none											
Reverse polarity protection		no damage, but also no function															
Electromagnetic protection		emission and immunity according to EN 61326															
Mechanical stability																	
Vibration		10 g, 25 Hz ... 2 kHz				according to DIN EN 60068-2-6											
Shock		500 g / 1 msec				according to DIN EN 60068-2-27											

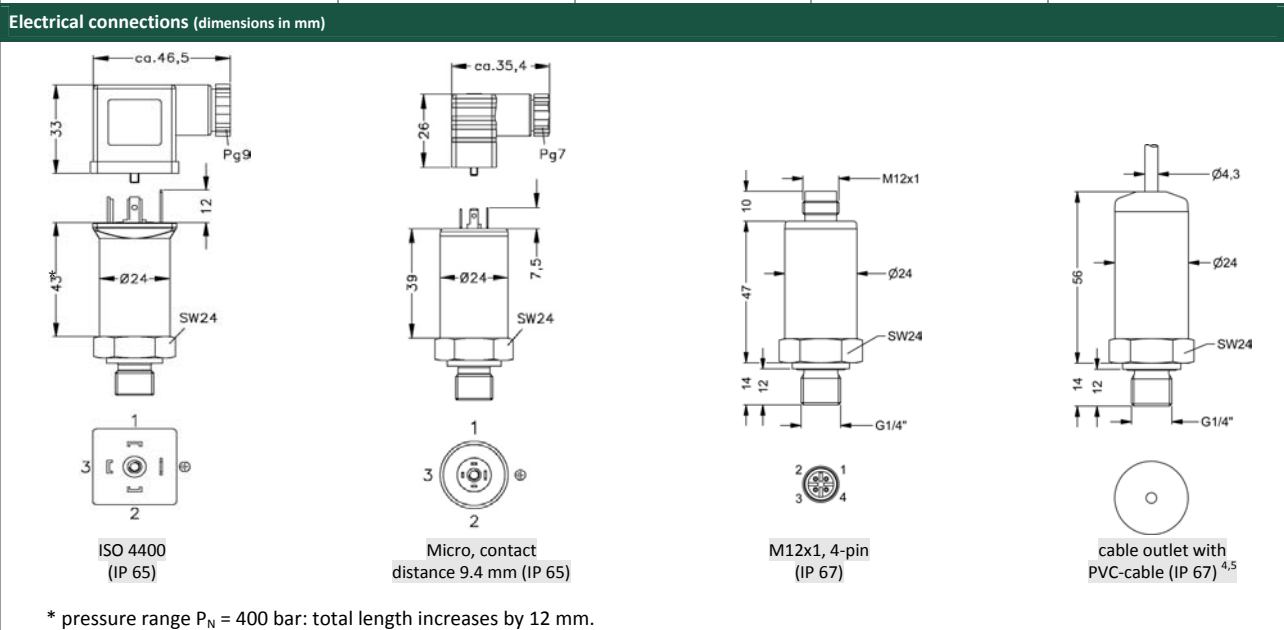
Materials	
Pressure port / housing	stainless steel 1.4301
Seals (media wetted)	FKM others on request
Diaphragm	ceramics Al <sub>2</sub> O <sub>3</sub> 96 %
Media wetted parts	pressure port, seals, diaphragm
Miscellaneous	
Weight	approx. 120 g
Current consumption	2-wire: max. 25 mA 3-wire ratiometric: typ. 1.5 mA 3-wire voltage: typ. 5 mA (short circuit current: max. 20 mA)
Long term stability	≤± 0.3 % FSO / year at reference conditions
Operational life	> 100 x 10 <sup>6</sup> cycles
CE-conformity	EMC Directive: 2004/108/EC Pressure Equipment Directive: 97/23/EC (module A) <sup>3</sup>

<sup>3</sup> This directive is only valid for devices with maximum permissible overpressure > 200 bar

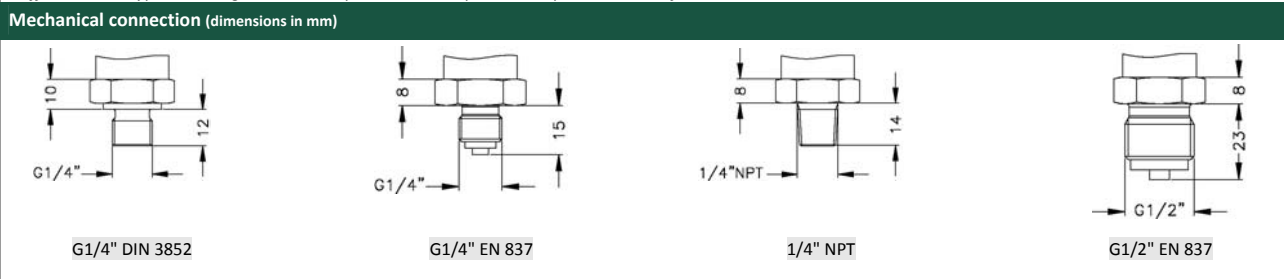


**Pin configuration**

Electrical connection	ISO 4400	Micro (contact distance 9.4 mm)	M12x1 (4-pin), plastic	cable colours (DIN 47100)
Supply +	1	1	1	wh (white)
Supply -	2	2	2	bn (brown)
Signal + (for 3-wire)	3	3	3	gn (green)
Shield	ground pin	ground pin	4	gn/ye (green / yellow)



<sup>4</sup> standard: 2 m PVC cable without ventilation tube (permissible temperature: -5 ... 70 °C)  
<sup>5</sup> different cable types and lengths available, permissible temperature depends on kind of cable



This data sheet contains product specification, properties are not guaranteed. Subject to change without notice.



**26.600 G**

**26.600 G** - --------

<b>Eingang</b>					
[bar]					
1,0	1	0	0	1	
1,6	1	6	0	1	
2,5	2	5	0	1	
4,0	4	0	0	1	
6,0	6	0	0	1	
10	1	0	0	2	
16	1	6	0	2	
25	2	5	0	2	
40	4	0	0	2	
60	6	0	0	2	
100	1	0	0	3	
160	1	6	0	3	
250	2	5	0	3	
400	4	0	0	3	
-1 ... 0 <sup>1</sup>	X	1	0	2	
Sondermessbereiche	9	9	9	9	auf Anfrage
<b>Messgröße</b>					
relativ			R		
absolut			A		
<b>Ausgang</b>					
4 ... 20 mA / 2-Leiter			1		
0 ... 10 V / 3-Leiter			3		
0,5 ... 4,5 V / 3-Leiter ratiometrisch			R		
andere			9		auf Anfrage
<b>Genauigkeit</b>					
0,5 % FSO			5		
andere			9		auf Anfrage
<b>Elektrischer Anschluss</b>					
Stecker und Kabeldose ISO 4400			1	0	0
Stecker und Kabeldose Micro			C	1	0
Stecker M12x1 (4-polig), Kunststoff			M	0	0
Kabelausgang mit PVC-Kabel <sup>2</sup>			T	A	0
andere			9	9	9
<b>Mechanischer Anschluss</b>					
G1/4" DIN 3852			3	0	0
G1/4" EN 837			4	0	0
1/4" NPT			N	4	0
G1/2" EN 837			2	0	0
andere			9	9	9
<b>Dichtung</b>					
FKM				1	
andere				9	
<b>Sonderausführungen</b>					
Standard			0	0	0
öl- und fettfrei			0	0	8
andere			9	9	9
					auf Anfrage

<sup>1</sup> für Nenndruck rel. -1 ... 0 bar beträgt die Genauigkeit 1 % FSO

<sup>2</sup> Standard: 2 m PVC-Kabel ohne Belüftungsschlauch (Temperatureinsatzbereich: -5 ... 70 °C)

Die Angaben dieser Preisliste enthalten die Spezifikation der Produkte, nicht die Zusicherung von Eigenschaften. Ausführliche Informationen zu den Bestelloptionen können dem Datenblatt entnommen werden. Technische Änderungen vorbehalten.