



# 17.600 G

## OEM Pressure Transmitter Heavy Duty

### Applications:

- ▶ mobile hydraulic
- ▶ presses
- ▶ general mechanical engineering
- ▶ oxygen application

### Characteristics:

- ▶ stainless steel sensor, welded
- ▶ accuracy 0.5 % FSO according to IEC 60770
- ▶ nominal pressure ranges from 0 ... 6 bar up to 0 ... 600 bar

## Technical Data



Input pressure range												
Nominal pressure gauge [bar]	6	10	16	25	40	60	100	160	250	400	600	
Overpressure (static) [bar]	12	20	32	50	80	120	200	320	500	800	1 200	
Burst pressure ≥ [bar]	30	50	80	125	200	300	500	800	1 400	2 000	3 000	
Vacuum resistance	unlimited											

Output signal / Supply			
Standard	2-wire:	4 ... 20 mA	/ $V_S = 8 ... 32 V_{DC}$
Options	3-wire:	0 ... 10 V	/ $V_S = 14 ... 30 V_{DC}$
	3-wire ratiometric:	10 ... 90 % of $V_S$	/ $V_S = 2.7 ... 5 V_{DC}$

Performance	
Accuracy <sup>1</sup>	≤ ± 0.5 % FSO
Permissible load	2-wire: $R_{max} = [(V_S - V_{S min}) / 0.02 A] \Omega$ 3-wire: $R_{min} = 10 k\Omega$
Influence effects	supply: 0.05 % FSO / 10 V      load: 0.05 % FSO / kΩ
Response time	2-wire: ≤ 10 msec      3-wire: ≤ 3 msec
Long term stability	≤ ± 0.3 % FSO / year at reference conditions
Measuring rate	1 kHz

<sup>1</sup> accuracy according to IEC 60770 – limit point adjustment (non-linearity, hysteresis, repeatability)

Thermal effects (offset and span) / Permissible temperatures			
Thermal error	≤ ± 0.3 % FSO / 10 K	in compensated range	0 ... 70 °C
Permissible temperatures	medium: -40 ... 125 °C	electronics / environment:	-40 ... 85 °C      storage: -40 ... 85 °C

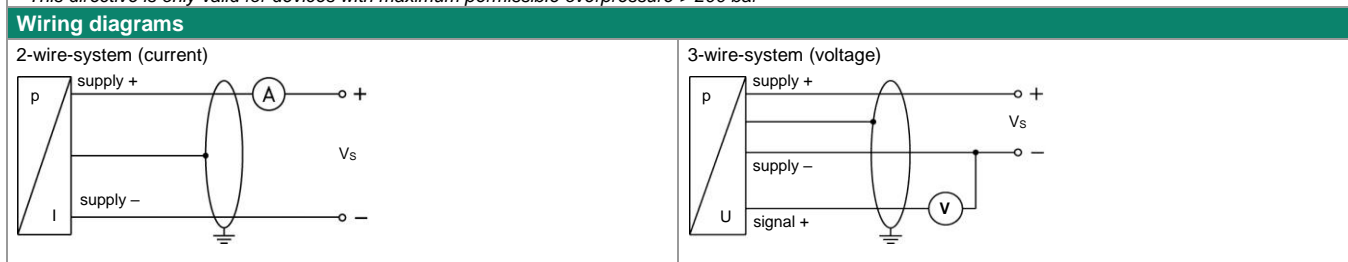
Electrical protection	
Short-circuit protection	permanent      3-wire ratiometric: none
Reverse polarity protection	no damage, but also no function
Electromagnetic protection	emission and immunity according to EN 61326

Mechanical stability	
Vibration	20 g, 25 Hz ... 2 kHz      according to DIN EN 60068-2-6
Shock	500 g / 1 msec      according to DIN EN 60068-2-27

Materials	
Pressure port	stainless steel 1.4571 (316Ti)
Housing	stainless steel 1.4301 (304)
Seal of pressure port	FKM for G 1/4" DIN 3852      others on request
Seal of sensor	none (welded)
Diaphragm	stainless steel 1.4542 (630)
Media wetted parts	pressure port, seal of pressure port, diaphragm

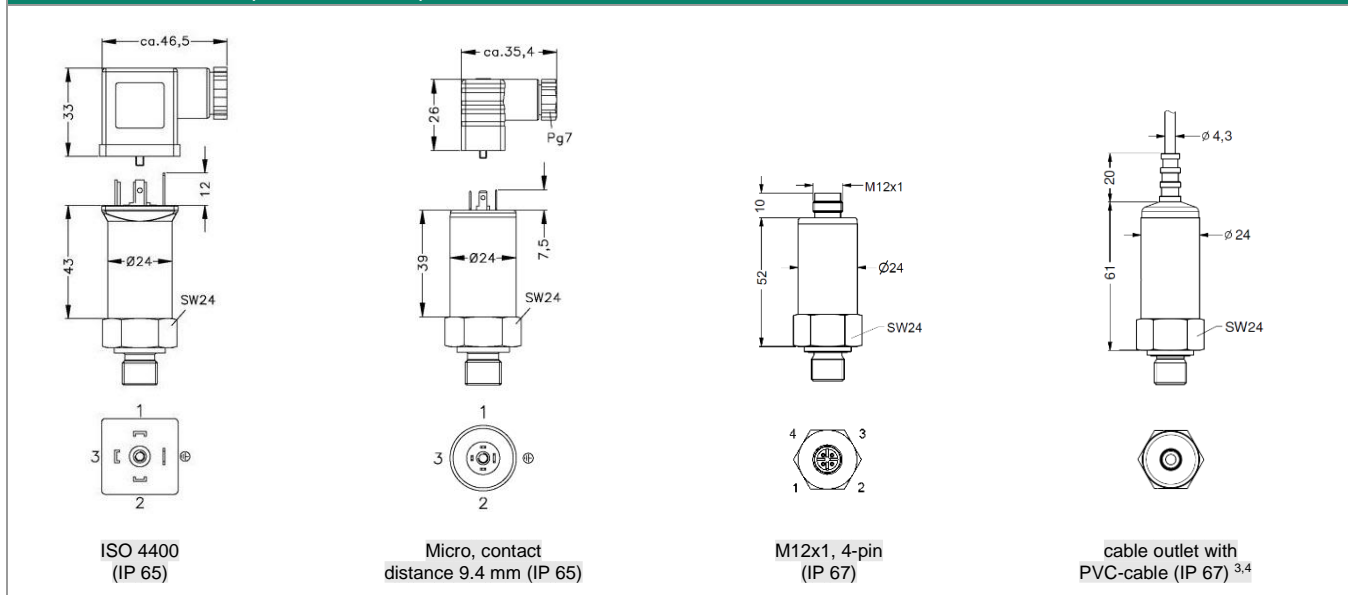
Miscellaneous	
Weight	approx. 120 g
Current consumption	2-wire: max. 25 mA      3-wire ratiometric: typ. 3 mA 3-wire voltage: max. 7 mA (short circuit current: max. 20 mA)
Operational life	100 million load cycles
CE-conformity	EMC Directive: 2014/30/EU      Pressure Equipment Directive: 2014/68/EU (module A) <sup>2</sup>

<sup>2</sup> This directive is only valid for devices with maximum permissible overpressure > 200 bar



Pin configuration				
Electrical connection	ISO 4400	Micro (contact distance 9.4 mm)	M12x1 (4-pin), metal	cable colours (IEC 60757)
Supply +	1	1	1	WH (white)
Supply -	2	2	2	BN (brown)
Signal + (for 3-wire)	3	3	3	GN (green)
Shield	ground pin	ground pin	4	GNYE (green-yellow)

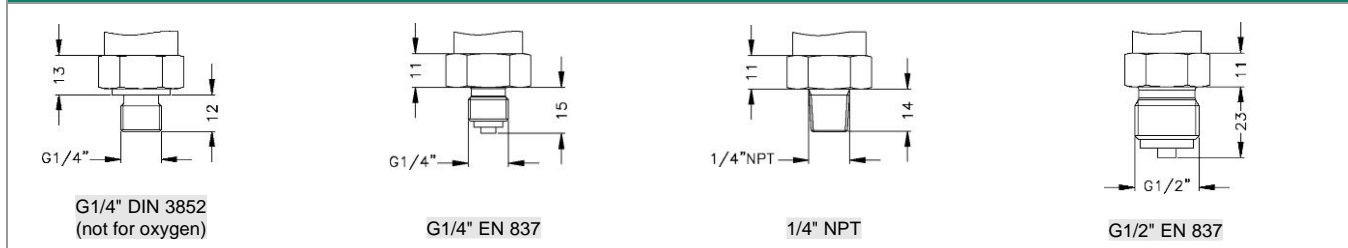
### Electrical connections (dimensions in mm)



<sup>3</sup> standard: 2 m PVC cable without ventilation tube (permissible temperature: -5 ... 70 °C)

<sup>4</sup> different cable types and lengths available, permissible temperature depends on kind of cable

### Mechanical connection (dimensions in mm)



© 2020 DRUCK & TEMPERATUR Leitenberger GmbH – The specifications given in this document represent the state of engineering at the time of publishing. We reserve the right to make modifications to the specifications and materials.

## Ordering code 17.600 G

 17.600 G - 

--	--	--	--	--	--	--	--	--	--

Input	[bar]									
	6	6	0	0	1					
	10	1	0	0	2					
	16	1	6	0	2					
	25	2	5	0	2					
	40	4	0	0	2					
	60	6	0	0	2					
	100	1	0	0	3					
	160	1	6	0	3					
	250	2	5	0	3					
	400	4	0	0	3					
	600	6	0	0	3					
	customer	9	9	9						consult
Pressure										
	gauge				R					
Output										
	4 ... 20 mA / 2-wire				1					
	0 ... 10 V / 3-wire				3					
	10 ... 90% of V <sub>s</sub> / 3-wire ratiometric				R					
Accuracy										
	0.5 % FSO				5					
	customer				9					consult
Electrical connection										
	male and female plug ISO 4400				1	0	0			
	male and female plug Micro				C	1	0			
	male plug M12x1 (4-pin), metal				M	2	0			
	cable outlet with PVC-cable <sup>1</sup>				T	M	0			
	customer				9	9	9			consult
Mechanical connection / Seal										
	G1/4" DIN 3852 / on pressure port: FKM				3	0	0	P		
	G1/4" EN 837 / without				4	0	0	2		
	1/4" NPT / without				N	4	0	2		
	G1/2" EN 837 / without				2	0	0	2		
	customer				9	9	9	9		consult
Special version										
	standard							0	0	0
	oxygen application <sup>2</sup>							0	0	7
	oil and grease free							0	0	8
	customer							9	9	9

© 2019 DRUCK &amp; TEMPERATUR Leitenberger GmbH - The specifications given in this document represent the state of engineering at the time of publishing. We reserve the right to make modifications to the specifications and materials.

<sup>1</sup> standard: 2 m PVC cable without ventilation tube (permissible temperature: -5 ... 70 °C)  
<sup>2</sup> not possible with G1/4" DIN 3852