

sanitary diaphragm seal
with threaded process connection as per
DIN 11851
SMS
RJT/APV
IDF/ISS

04.SAN



Diaphragm seals are designed to isolate the sensing element of pressure gauges and pressure switches from process fluids which may be corrosive, viscous, sedimentous and / or with a high temperature. The diaphragm is welded to the upper body, to ensure separation of filling fluid from process medium. Designed in accordance with food and pharmaceutical standards to permit easy removal from the plant whilst maintains the hygienic feature during frequent cleaning.

Functional and constructive characteristics

Process temperature: -20...+120 °C.
Accuracy*: (add to instrument accuracy)
±0,5% for direct mounting.
Instrument connection: AISI316st.st.1/2" BSPF;
(1/4" BSPF for DN25 DIN, 1" IDF).
Diaphragm: AISI316 L.st.st., welded.
Filling liquid: oil for food industry.
Process connection: AISI316 st.st. as per:
-DIN 11851
-SMS
-RJT / APV
-IDF / ISS
see "RANGES" table for dimensions.

Special Version

Cooling extension: to be used for direct connection when the process temperature is higher than 100 °C. (option TOR)

Ranges

Process connection	DN	Female with unionnut			Male		
		DS 63	DS 100	DS 150	DS 63	DS 100	DS 150
DIN 11851	25	0...6/0...40	-	-	0...6/0...40	-	-
	32	-	0...4/0...40	0...10/0...40	-	0...4/0...40	0...10/0...40
	40	-	0...2,5/0...40	0...6/0...40	-	0...4/0...40	0...10/0...40
	50	-	0...1,6/0...40	0...4/0...40	-	0...2,5/0...40	0...6/0...40
SMS 681	1" 1/2	-	0...4/0...40	0...10/0...40	-	0...4/0...40	0...10/0...40
	2"	-	0...2,5/0...40	0...6/0...40	-	0...2,5/0...40	0...6/0...40
RJT/AP	1" 1/2	-	0...4/0...40	0...10/0...40	-	0...4/0...40	0...10/0...40
	2"	-	0...2,5/0...40	0...6/0...40	-	0...2,5/0...40	0...6/0...40
IDF/ISS	1"	0...6/0...40	-	-	0...6/0...40	-	-
	1" 1/2	-	0...4/0...40	0...10/0...40	-	0...4/0...40	0...10/0...40
	2"	-	0...2,5/0...40	0...6/0...40	-	0...2,5/0...40	0...6/0...40

*at 20 °C process temperature (or state temperature when ordering)

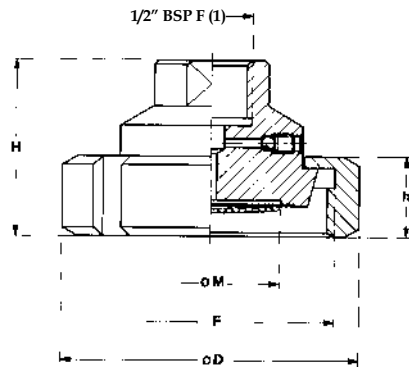


sanitary diaphragm seal
with threaded process connection as per
DIN-SMS-RJT-IDF

04.SAN

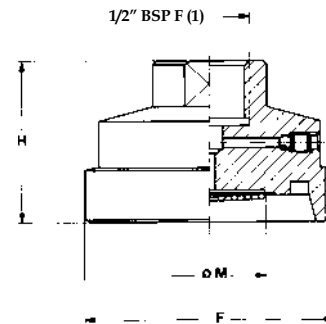
TYPES AND DIMENSIONS (mm.)

Female
with union
nut



(1) DN25 and DN1" = 1/4" BSP

Male



DIN 11851 - (example drawn below)

DN	Code	H	h	D	M	F (DIN 405)
25	QHF	44	21	63	20,5	Rd 52 x 1/6
32	RHF	46	21	70	29	Rd 58 x 1/6
40	SHF	46	21	78	36	Rd 65 x 1/6
50	THF	47	22	92	50	Rd 78 x 1/6

SMS

DN	Code	H	h	D	M	F (DIN 405)
1" 1/2	AIF	49,5	25	74	29	Rd 60 x 1/6
2"	BIF	50,5	26	84	36	Rd 70 x 1/6

RJT/AP

DN	Code	H	h	D	M	F (Withworth)
1" 1/2	ALF	49,5	22	Es. 65	29	2" 5/16 x 8
2"	BLF	49,5	22	Es. 79	36	2" 7/8 x 6

IDF/ISS

DN	Code	H	h	D	M	F (ACME)
1"	6MF	53	30	48	20,5	1" 1/2 x 8
1" 1/2	AMF	54,5	30	64	29	2" 1/32 x 8
2"	BMF	54,5	30	77	36	2" 9/16 x 8

DIN 11851 - (example drawn below)

DN	Code	H	M	F (DIN 405)
25	QHM	37	20,5	Rd 52 x 1/6
32	RHM	42	29	Rd 58 x 1/6
40	SHM	42	29	Rd 65 x 1/6
50	THM	42	36	Rd 78 x 1/6

SMS

DN	Code	H	M	F (DIN 405)
1" 1/2	AIM	43	29	Rd 60 x 1/6
2"	BIM	43	36	Rd 70 x 1/6

RJT/AP

DN	Code	H	M	F (Withworth)
1" 1/2	ALM	46,5	29	2" 5/16 x 8
2"	BLM	46,5	36	2" 7/8 x 6

IDF/ISS

DN	Code	H	M	F (ACME)
1"	6MM	39,5	20,5	1" 1/2 x 8
1" 1/2	AMM	44,5	29	2" 1/32 x 8
2"	BMM	44,5	36	2" 9/16 x 8

HOW TO ORDER

DESCRIPTION & CODE	
04	04-diaphragm seal
SAN	SAN-sanitary, food industry
4	Process connection material 4-AISI316st.st.
4	Diaphragm material 4-AISI316Lst.st.
SHF	Process connection see tables to code
41F	Instrument connection 21F - 1/4" BSP F (2) 41F - 1/2" BSP F
C05	see options table

(2) Nur in Verbindung mit Manometern NG63.

OPTIONS

Description	Code
Helium Test	C05
Dye penetration test	P04
AISI adaptor 1/2" BSP M x 1/4" NPT M	R21
Without instrument, seal only	S20
Ball and set screw for filling	S30
Cooling extension	TOR



DRUCK & TEMPERATUR Leitenberger GmbH
Postfach 64 • D-72136 Kirchentellinsfurt • Germany
Tel.: 07121-90920-0 • Fax: 07121-90920-99
E-Mail: dt-info@leitenberger.de
INTERNET-Site: http://www.leitenberger.de