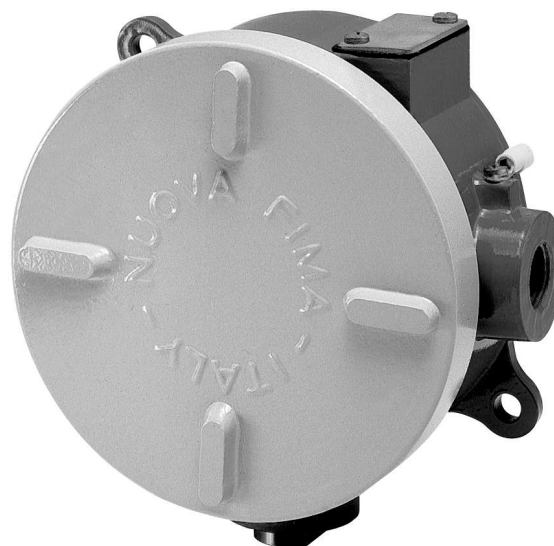


# Bourdon Tube Pressure Switch

# 3.30



These bourdon tube pressure switches are IP 55, and suitable for a variety of applications such as: food industry, cannery, pharmaceutical, petrochemical, conventional and nuclear power station where the operating pressure is middle-high. They withstand the most unfavourable working conditions, caused by either the process fluid aggressiveness or high ambient temperature.

Ranges: 0...10/0...600 bar.

Electrical specifications: N. 1...2 SPDT microswitches (see microswitches table)

Differential: fixed, or adjustable 10%...50% of setting range (see microswitches tables).

Repeatability: - 1% of the full setting value.

Set-point adjustment: internal but also external accessible, micrometric adjustable.

Protection: IP 55 as per IEC 529.

Electrical wiring: terminal strip.

Earth contacts: N. 1 internal, N. 1 external.

Process temperature: max 752°F (400°C).

Ambient temperature: -13...+149°F (-25...+65 °C).

Thermal drift: - 0,027% / °F (- 0,05% / °C).

Process connection: AISI 316 st. st.

Elastic element: AISI 316 L st.st. seamless tube.

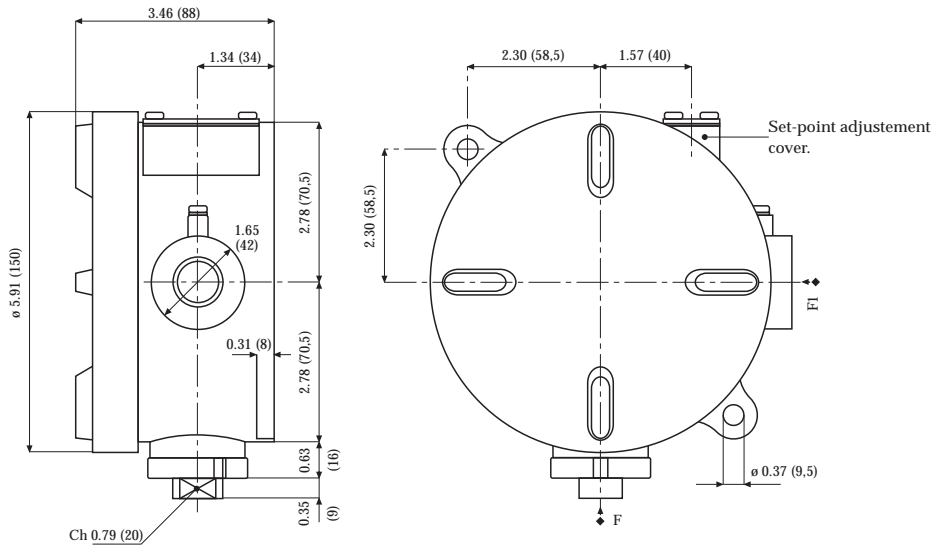
Case: aluminium, blue polyurethane painted.

Cover: aluminium, beige polyurethane painted.

Tag: AISI 304 st.st. silk-screen printed.

Setting ranges	Test pressures	Differential 1 micro (1)	Differential 2 micros (1)
0,4...10 bar	15 bar	0,2 bar	0,3 bar
0,7...16 bar	25 bar	0,25 bar	0,5 bar
0,7...25 bar	35 bar	0,3 bar	0,5 bar
1...40 bar	60 bar	0,5 bar	0,7 bar
1,5...60 bar	80 bar	1 bar	1,3 bar
2...100 bar	135 bar	1,4 bar	1,8 bar
4...160 bar	210 bar	2,2 bar	2,9 bar
6...250 bar	350 bar	3,5 bar	4 bar
8...400 bar	500 bar	5 bar	6 bar
10...600 bar	800 bar	7 bar	8 bar

(1) differential and minimum set-point values for goldplated microswitches are 300% of those shown in table.

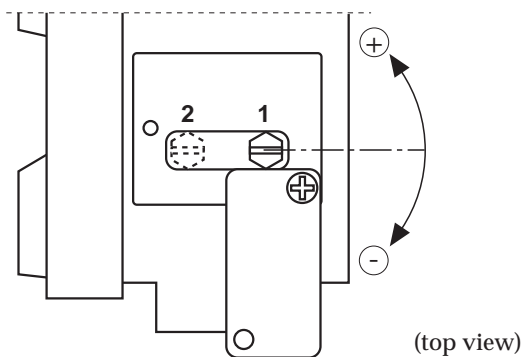


F1 (innen)
R 1/2-ISO 7/1
R 3/4-ISO 7/1
1/2-14 NPT
3/4-14 NPT
cable gland

F (innen)
R 1/2-ISO 7/1
R 3/4-ISO 7/1
1/2-14 NPT
3/4-14 NPT
M20 x 1,5

(dimensions : mm)

Set-point adjustment



MICROSWITCHES - ohmic load

Type	250 Vac	125 Vac	125 Vdc	24 Vdc
std.	15A	15A	0,5A	2A
splash proof	15A	15A	0,5A	2A
goldplated		1A		1A
inert gas filled	15A	15A	0,5A	2A
goldplated & inert gas filled		1A		1A
adjustable dead band	20A	20A	0,5A	2A

OPTIONS

Degreasing for oxygen
Tropicalisation
Epoxy painting

"HOW TO ORDER" SEQUENCE

Section / Model/Special version /Set-point Adjustment /Microswitch /  
Electrical connection / Process connection /Options



**DRUCK & TEMPERATUR Leitenberger GmbH**  
Postfach 64 • D-72136 Kirchentellinsfurt • Germany  
Tel.: 0 71 21 - 9 09 20 - 0 • Fax: 0 71 21 - 9 09 20 - 99  
E-Mail: dt-info@leitenberger.de  
INTERNET-Site: http://www.leitenberger.de