

Differential Pressure Gauges with double diaphragm PN 400 bar

02.17 DS 100-150

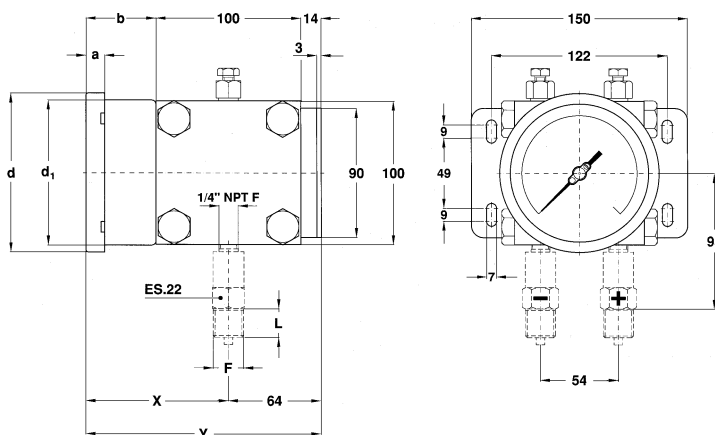


These instruments are used to check filter obstructions, pressure drops, flow rate differences, level, measurements and generally the difference between two pressures of equal or different circuits. The measuring element is formed by two diaphragms, acting on the same movement. In this way the pointer senses only the difference between the two pressures corresponding respectively to upstream and downstream circuit pressure.

Functional and constructive characteristics

- Accuracy :** 1,6 as per EN 837.
- Scale amplitude:** 180...270°, depending on the scale range.
- Static pressure:** 400 bar.
- Ambient temperature :** -25...+65 ·C.
- Process fluid temperature:** max +150 ·C.
- Thermal drift:** ±0,8% every ±10 ·C of ambient temperature.
- Protection:** IP 55 as per IEC 529, UNI 8896.
- Process connection:** AISI 316L st.st.
- Elastic element:** AISI 316L st.st. double diaphragm.
- Gasket:** VITON and PTFE.
- Case:** AISI 304 st.st.
- Ring:** AISI 304 st. st. polished, bayonet lock.
- Window:** glass, 4 mm. thick.
- Movement:** stainless steel.
- Dial:** aluminium, white with black markings.
- Pointer:** aluminium, micrometric adjustable.
- Window gasket:** EPDM.

DIMENSIONS AND WEIGHTS



TYPE C - wall mounting; with back flange and bottom connection.

DS	a	b	d	d ₁	X	Y	L	Weight 0217
100	13	48,5	110,6	101	98,5	162,5	20	7,31Kg.
150	15	50,5	161	149,6	100,5	164,5	20	7,80Kg.

RANGES

mbar	mmH ₂ O	bar	kPa	MPa	Static pressure		Scale amplitude	
					One side	Both side	DS 100	DS 150
0/1000	0/10000	0/1	0/100		250 bar	400 bar	270°	180°
0/1600		0/1,6	0/160		250 bar	400 bar	270°	180°
		0/2,5	0/250		250 bar	400 bar	270°	180°
		0/4	0/400		250 bar	400 bar	270°	180°
		0/6	0/600		250 bar	400 bar	270°	180°
		0/10	0/1000	0/1	250 bar	400 bar	270°	180°

OPTIONS - "E" = DS 100; "G" = DS 150.

Description	Code	02.17	Notes
Inductive and mechanical electric contacts (amplitude 180°)	---	G	Codes, descriptions and wiring on data-sheet MN14
AISI 316 st.st. case and ring	C40	EG	
NACE MR 01.75 version	E30	EG	to be ordered with MONEL 400 diaphragm (code M23)
Protection IP65	E65	EG	
Maximum pointer IP65	L22	EG	to be ordered with Plexiglas window (code T31)
MONEL 400 diaphragms	M23	EG	accuracy 2,5% F.S.V. for pressure ranges < 400 mbar
Oxygen service	P02	EG	Filling of measuring chamber with Fluorolube
Special dial	Q01	EG	
Case glycerine filling (Ambient Temperature +15...+65°C).	R10	EG	
Silicone filling (Ambient Temperature -40...65°C)	R11	EG	window gasket: silicone rubber
2" pipe mounting bracket	S31	EG	mounting type "C" only
Tropicalization	T01	EG	
Stainless steel label	T25	EG	
Plexiglas window	T31	EG	
Safety glass window	T32	EG	

HOW TO ORDER

02	02- differential and low pressure gauges
17	15- differential pressure gauges, double diaphragm
1	standard case
C	C - lower connections - back flange E - lower connections - front flange (DS 150 only) F - lower connections - front flange (DS 100 only)
E	E - DS 100 G - DS 150
0	ranges: from 1 to 10 bar
0...1 bar	see range table
41M	23F - 1/4" NPT F 41M - 1/2" BSP M 43M - 1/2" NPT M
C40	see Options tables



DRUCK & TEMPERATUR Leitenberger GmbH
Postfach 64 · D-72136 Kirchentellinsfurt · Germany
Tel.: 071 21 - 90920 - 0 · Fax: 071 21 - 90920 - 99
E-Mail: dt-info@leitenberger.de
INTERNET-Site: http://www.leitenberger.de