

Comparison Test Pump

GB

Vergleichsprüfpumpe

D

## LSP 5000

## LSP 7000



**DRUCK & TEMPERATUR Leitenberger GmbH**

Bahnhofstr. 33 • D-72138 Kirchentellinsfurt • Germany

Tel.: 0 71 21 - 9 09 20 - 0 • Fax: 0 71 21 - 9 09 20 - 99

E-Mail: [DT-Info@leitenberger.de](mailto:DT-Info@leitenberger.de) • <http://www.druck-temperatur.de>

Technische Änderungen vorbehalten. Freibleibend • (Rel. 061120) • All technical modifications reserved. Without engagement

**LR-Cal**



**GB** Operating Instructions Comparison Test Pump Page 4 - 19

**D** Betriebsanleitung Vergleichsprüfpumpe Seite 20 - 40



**Information**  
This symbol provides you with information, notes and tips.



**Warning!**  
This symbol warns you against actions that can cause injury to people or damage to the instrument.

# Contents

<b>1. General</b>	<b>4</b>
1.1 General instructions	4
1.2 Safety instructions	5
<b>2. Product description</b>	<b>6</b>
2.1 General product information	6
2.2 Arrangement of control elements LSP 5000 and LSP 7000	7
<b>3. Commissioning and operation</b>	<b>8</b>
3.1 Preparation	8
3.1.1 Setting up the device	8
3.1.2 Connecting the test specimen and the reference instrument	9
3.1.3 Venting the system	10
3.2 Operation	11
3.2.1 Increasing the pressure	11
3.2.2 Reducing the pressure	12
3.3 Disassembly	12
<b>4. Troubleshooting measures</b>	<b>13</b>
<b>5. Maintenance</b>	<b>15</b>
5.1 Wear parts	15
5.2 Changing the hydraulic oil	15
5.2.1 Removing hydraulic oil	15
5.2.2 Filling in of hydraulic oil	16
5.2.3 Venting of the system (after complete filling only)	16
<b>6. Specifications</b>	<b>17</b>
<b>7. Accessories</b>	<b>19</b>
<b>8. Declaration of conformity</b>	<b>37</b>

## **1. General**

### **1.1 General instructions**

In the following chapters detailed information on the LSP 5000 and LSP 7000 comparison test pump and its proper use can be found.

Should you require further information, or should there be problems which are not dealt within detail in the operating instructions, please contact the address below:

#### **DRUCK & TEMPERATUR Leitenberger GmbH**

Bahnhofstr. 33

D-72138 Kirchentellinsfurt / GERMANY

Tel.: +49-7121-90920-0

Fax: +49-7121-90920-99

E-Mail:DT-Export@Leitenberger.de

The warranty period for the comparison test pump is 24 months according to the general terms of supply of ZVEI.

The guarantee is void if the appliance is put to improper use or if the operating instructions are not observed or if an attempt is made to open the appliance or to release attachment parts or the tubing. We also point out that the content of these operating instructions neither forms part of an earlier or existing agreement, assurance or legal relationship nor is meant to change these. All obligations of DRUCK & TEMPERATUR Leitenberger GmbH result from the respective sales contract and the general business terms of DRUCK & TEMPERATUR Leitenberger GmbH.

Names of companies or products mentioned in this handbook are registered trade marks of the manufacturer.

The devices described in this manual represent the latest state of the art in terms of their design, dimension and materials. We reserve the right to make changes to or replace materials without any obligation to give immediate notification.

Duplication of this manual in whole or in part is prohibited.

## 1.2 Safety instructions



**Read these operating instructions carefully prior to operating the comparison test pumps LSP 5000 and LSP 7000. Its trouble-free operation and reliability cannot be guaranteed unless the safety advice given in this manual is followed when using the device.**

1. The system must only be operated by trained and authorised personnel who know the manual and can work according to them.
  2. Trouble-free operation and reliability of the device can only be guaranteed so long as the conditions stated under "Setting up the device" are taken into consideration.
  3. The LSP 5000 or LSP 7000 always has to be handled with the care required for a precision instrument (protect from humidity, impacts and extreme temperatures). The device must be handled with care (don't throw, hit, etc.) and protect them from contamination. By no means apply any force to the operating elements of the pumps.
  4. If the device is moved from a cold to a warm environment, you should therefore ensure the device temperature has adjusted to the ambient temperature before trying to put it into operation.
  5. If the equipment is damaged and might no longer operate safely, then it should be taken out of use and securely marked in such a way so that isn't used again.  
Operator safety may be at risk if:
    - There is visible damage to the device
    - The device is not working as specified
    - The device has been stored under unsuitable conditions for an extended period of time.
- If there is any doubt, please return the device to the manufacturer for repair or maintenance.
6. Customers must not attempt to alter or repair the device themselves. If the instrument is opened or attachment parts or the tubing are released, its trouble-free operation and reliability is impaired and endangers the operator. Please return the device to the manufacturer for any repair or maintenance.
  7. There must be used only the original sealings in the device.
  8. Any operation not included in the following instructions or outside the specifications must not be attempted.

## 2. Product description

### 2.1 General product information

#### ■ Application

Test pumps are used to generate pressures for checking, adjusting and calibrating mechanical and electronic pressure measuring instruments by comparative measurements. These pressure tests may be carried out in laboratories, workshops or on site at the measuring point.

#### ■ Functioning

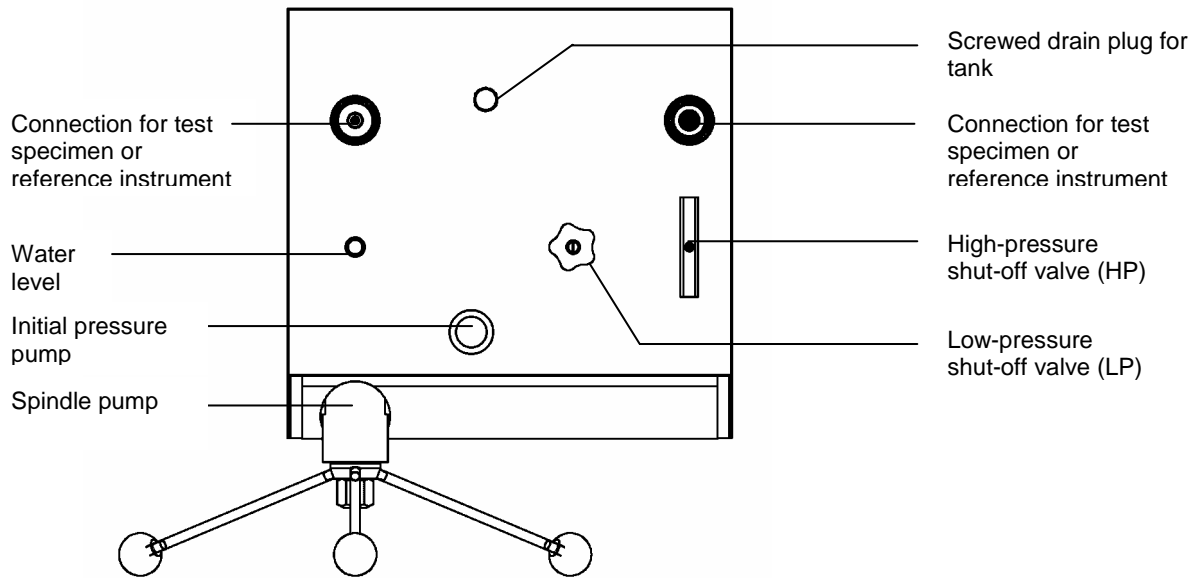
The comparison test pump is equipped with two connections for the test specimen and the reference instrument which can be used in any order. If the instrument to be tested and a sufficiently accurate reference measuring instrument are connected to the test pump, the same pressure is applied to the two measuring instruments when the pump is operated. By comparing the two measured values at random pressure values, the accuracy can be verified or the instrument under test can be adjusted. First the pressure is set via an integrated initial pressure pump. For fine adjustment by approaching the measuring points precisely an adjustable volume with precision spindle is available. Another important feature of the pumps is the rotating spindle that only runs inside the body of the pump. This eliminates the negative effect of a bending torque on a spindle turning outside the body and offers the advantage, especially for use in the field, that the dimensions of these pumps do not change during operation due to the spindle turning.



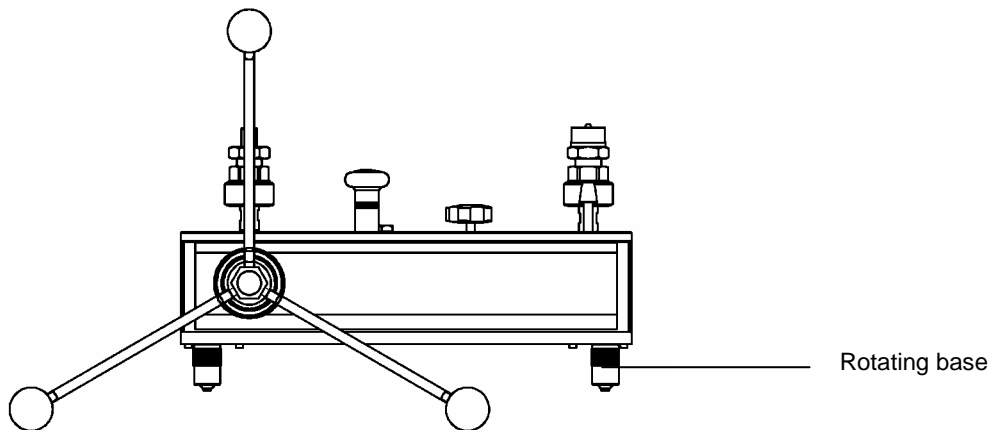
The term "reference instrument" in this manual relates to each kind of pressure measuring instrument like: spring manometer, electrical pressure measuring instrument and pressure transmitters with electrical outlet. The comparison test pump is only as precise as the used reference instrument. The reference instrument should be recalibrated in regular intervals to guarantee the specifications of the manufacturer.

2.2 Arrangement of control elements LSP 5000 and LSP 7000

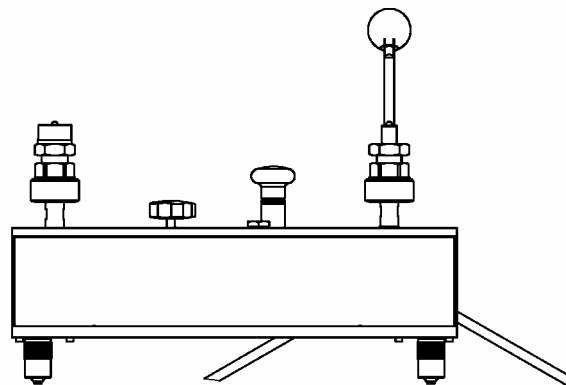
■ View from above



■ Front view



■ Rear view



### **3. Commissioning and operation**

#### **3.1 Preparation**

##### **3.1.1 Setting up the device**

- Set up the comparison test pump on a solid surface. If it is not resting on a solid foundation or is subject to vibrations, measurements could be affected. This should be avoided.
- The water level should be used to align the device. Using the rotating feed, position the device so that it is horizontal.
- The oil container may need to be filled, or refilled (volume 250 ml). For this purpose, the locking screw with the oil filling symbol on top of the basement must be opened. Special oil must be used for refilling (0,5 litre supplied, or available as accessory). The system must be vented before initial filling, or after a complete oil change. For this purpose, please proceed according to section 5.2.3.
- Place the star handle with knobs onto the spindle pump. Ensure that the spring-loaded thrust pad engages into the star handle bushing.
- We recommend unscrewing the spindle pump completely when you start to record measurement values, (turning anticlockwise) to allow enough volume for measurements. The outlet valve must be opened during this process.

### 3.1.2 Connecting the test specimen and the reference instrument



**Before releasing the closure plugs in the test connections, ensure that the system (spindle pump turned back completely counter-clockwise, open high-pressure shut-off valve, open low-pressure shut-off valve) is depressurised.**

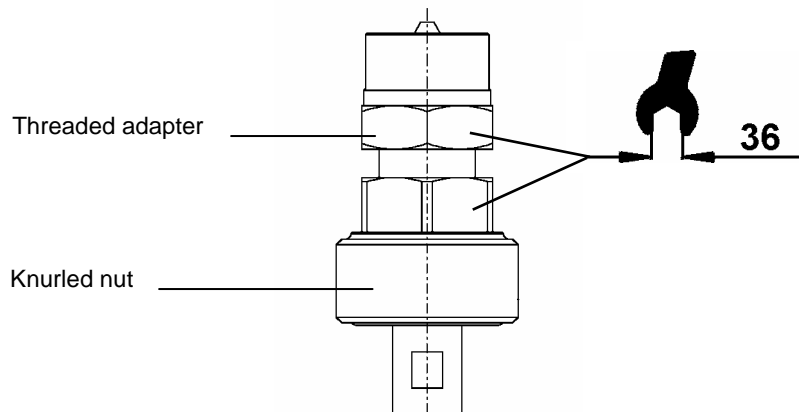
**Note: The closure plugs serve to seal off the test connections from oil leaks, or from any penetrating contamination. It may not be pressurised under any circumstances.**

- The test connections have a knurled nut with a G ¾ female thread, in which various threaded connecting adapters may be screwed into. 2 threaded adapters with M16 x 1.5 male thread are included in the scope of supply as standard equipment:



Connecting adapters with M20 x 1.5 male thread and 9/16-18UNF male thread with sealing cone and a connecting adapter with G ½ female thread with an O-ring seal are available as accessories. The maximum pressure permitted with the use of this adapter is limited to 1600 bar.

- First, install the matching threaded adapters on your test specimen and reference instrument.
- Then connect the test specimen and the reference instrument, including the installed threaded adapters, to the knurled nut of the test connections at the test pump. The free-running knurled nut enables the orientation of the instruments. Firmly tighten the knurled nut and the threaded adapter with a flat wrench in the desired clamping position. The wrench width for the knurled nut and the threaded adapter is SW 36.



- Additional sealing elements are not required. Sealing is performed purely metallic using a sealing cone.

### 3.1.3 Venting the system

After the clamping of the test specimen and the reference instrument, air may be trapped in the system. The system may be vented before beginning with calibration using the following procedure:

- The test specimen and the reference instrument must be clamped
- Close the low-pressure shut-off valve
- Open the high-pressure shut-off valve
- Generate a pressure of approximately 50 bar using the initial pressure pump
- Close the high-pressure shut-off valve
- Increase the pressure with the spindle pump until just below the final value of the measuring range of the test specimen or of the reference instrument (the smaller pressure range is the decisive factor).
- Carefully open the high-pressure shut-off valve, any trapped air will escape into the tank
- Open the low-pressure shut-off valve

This procedure may need to be repeated several times in order to remove all trapped air.

Opening the high-pressure shut-off valve without first turning out the spindle pump in counter-clockwise direction in order to relieve the system on initial pressure is permitted only with the venting procedure described herein.



**After generating initial pressure, the high-pressure shut-off valve must always be closed before pressure is increased using the spindle pump. An integrated safety overflow valve (adjusted to approximately 100 bar) additionally protects the low-pressure circulation from any errors on the operator's part.**

The device is now ready to use.

### 3.2 Operation



The maximum permissible pressure for the LSP 5000 is 5,000 bar resp. for the LSP 7000 is 7,000 bar. Higher pressures may damage the pump. The reference instrument, test specimen and any connecting tubes that are used must not be subjected to pressures above the maximum permissible level.

#### 3.2.1 Increasing the pressure



We recommend unscrewing the spindle pump completely when you start to record measurement values, (turning anticlockwise) to allow enough volume for measurements. The low-pressure and high-pressure shut-off valve must be opened during this process.

- The system must first be filled with oil and pre-compressed.
- For this the valves must be in the basic position:
  - Low-pressure shut-off valve closed
  - High-pressure shut-off valve opened
- Then run the initial pressure pump for several strokes. The pressure increases to a maximum of about 50 bar (depending on the volume of the connected instruments).
- The high-pressure shut-off valve must be closed after pre-pressure generation.
- After that, increase the pressure resp. make a fine adjustment by turning the built-in spindle pump clockwise to approach the calibration points.



**After generating initial pressure, the high-pressure shut-off valve must always be closed, before pressure is increased using the spindle pump. An integrated safety overflow valve (adjusted to approximately 100 bar) additionally protects the low-pressure circulation from any errors on the operator's part.**

- Now you can compare the indication of the test specimen with the reference instrument at each calibration point.



If small amounts of air are compressed in the system together with medium, the test pressure that has been generated first drops off slightly. After this it must be readjusted.

A longer waiting time before stable operating conditions are reached should be expected at higher pressures than at lower pressures.

### 3.2.2 Reducing the pressure

- Turn the spindle pump anticlockwise to release pressure in the system.
- If the pressure is close to the next test level, make the fine adjustment with the spindle wheel.
- Once the spindle pump is turned back completely counter-clockwise, only the initial pressure remains in the system.
- Now the high-pressure shut-off valve can be opened.



**Open the high-pressure shut-off valve only if the pressure in the system has been relieved to initial pressure. For this purpose, always first turn the spindle pump back completely counter-clockwise.**

- The initial pressure can be further relieved by carefully opening the low-pressure shut-off valve.
- By completely opening the low-pressure shut-off valve, the initial pressure will completely escape back into the tank.
- The system is now completely relieved



**Even if you wish to relieve the system from a high pressure completely down to zero immediately, the spindle pump must first be completely turned back counter-clockwise. Then open the high-pressure shut-off valve, and subsequently open the low-pressure shut-off valve. The initial pressure then escapes completely into the tank. The system is now completely relieved.**

### 3.3 Disassembly

- After all pressure points have been recorded, ensure that the system is depressurised (see section 3.2.2).
- Now the test specimen and the reference instrument can be removed from the test connection.



**Do not disconnect the test specimen or the reference instrument until the pressure in the comparison test pump has been completely released.**

- The handle bars of the star handle can now be unscrewed from the spindle pump.

#### 4. Troubleshooting measures



If faults cannot be repaired, the system must be put out of operation immediately and this information is to be given to the manufacturer.

Repairs must only be carried out by the manufacturer. Interventions and changes on the appliance are not allowed.

In case of faults caused by defects of the hydraulic equipment the operators must inform their superiors immediately and call in the qualified and authorised technical staff for maintenance.

**Table: Fault description and measures**

Type of fault	Measures
I. Unable to build up pressure during pre-pressure generation	<ul style="list-style-type: none"> <li>■ Close low-pressure shut-off valve correctly</li> <li>■ <b>Attention:</b> Do not tighten the shut-off valve more than finger tight. Otherwise the valve seat could be damaged.</li> <li>■ Check whether there is enough operating fluid in the tank.</li> </ul>
II. Unable to build up further pressure at high-pressure generation with the spindle pump	<ul style="list-style-type: none"> <li>■ Close high-pressure shut-off valve correctly</li> <li>■ <b>Please note:</b> In case of an opened, or not properly closed high-pressure shut-off valve, the safety overflow valve is not activated until approximately 100 bar are reached, and the oil will flow back into the tank. Therefore, no pressure &gt; 100 bar can be built up.</li> </ul>
III. Unable to build up pressure / oil discharge at the test connections	<ul style="list-style-type: none"> <li>■ Tighten the test specimen and the reference instrument with the connecting adapter and knurled nut (see section 3.1.2)</li> <li>■ In case of wear or damage to the sealing cone, proceed as described in section 5.1.</li> </ul>
IV. Unable to build up pressure, or range cannot be reached	<ul style="list-style-type: none"> <li>■ After the clamping of the test specimen and the reference instrument, air may be trapped in the system.</li> <li>■ <b>Please note:</b> The system should be vented before beginning with calibration. For this purpose, proceed according to section 3.1.3.</li> <li>■ Afterwards, build the pressure back up.</li> </ul>

V. Slow lowering of the pressure

- Leak in the system, see fault III.
- If small amounts of air are compressed in the system together with medium, the test pressure that has been generated first drops off slightly. After this it must be readjusted.
- If the system is pressurised quickly, it takes a certain time (< 1 minute) until it can stabilise thermally. The pressure should then be adjusted accordingly.
- After the clamping of the test specimen and the reference instrument, air may be trapped in the system, see point VI.
- Afterwards, build the pressure back up.

## 5. Maintenance

### 5.1 Wear parts

Sealing in the test connections is purely metallic using a sealing cone. The individual components are made of wear-proof materials. Should the seal faces show signs of wear or damage on the interior or exterior cone, the components must be replaced. In this case, please contact the manufacturer.

### 5.2 Changing the hydraulic oil

The hydraulic oil should be changed whenever visible contamination is present.

#### 5.2.1 Removing hydraulic oil

- Open the locking screw with the oil filling symbol on top of the basement
- Siphon the oil out of the tank, for example, by using a suitable nozzle
- Small amounts of oil residue additionally may be siphoned off the test connections opened. For this purpose, the spindle pump must be slowly turned in clockwise with the low-pressure and high-pressure shut-off valves open.
- Minute amounts of oil residue may remain in the piping



In case of severe contamination of the hydraulic oil, the complete cleaning of the piping and of all media-contacted individual components of the basement in a dismantled state may be advisable. This procedure may be performed by the manufacturer only.



**Waste oil must be disposed of according to legal requirements.**

### **5.2.2 Filling in of hydraulic oil**

- Open the high-pressure shut-off valve
- Open the low-pressure shut-off valve
- Turn in the spindle pump clockwise until it reaches the initial stop
- Open the locking screw with the oil filling symbol on top of the basement
- Fill in special oil (1 litre supplied, or available as accessory) via the tank opening, until the fill level reaches the thread of the tank opening (approximately 250ml). The fill level must always be observed.
- Twist out the spindle pump counter-clockwise until it reaches the rear stop. The filling medium is suctioned out of the tank into the system.
- Close the tank opening with the locking screw

### **5.2.3 Venting of the system (after complete filling only)**

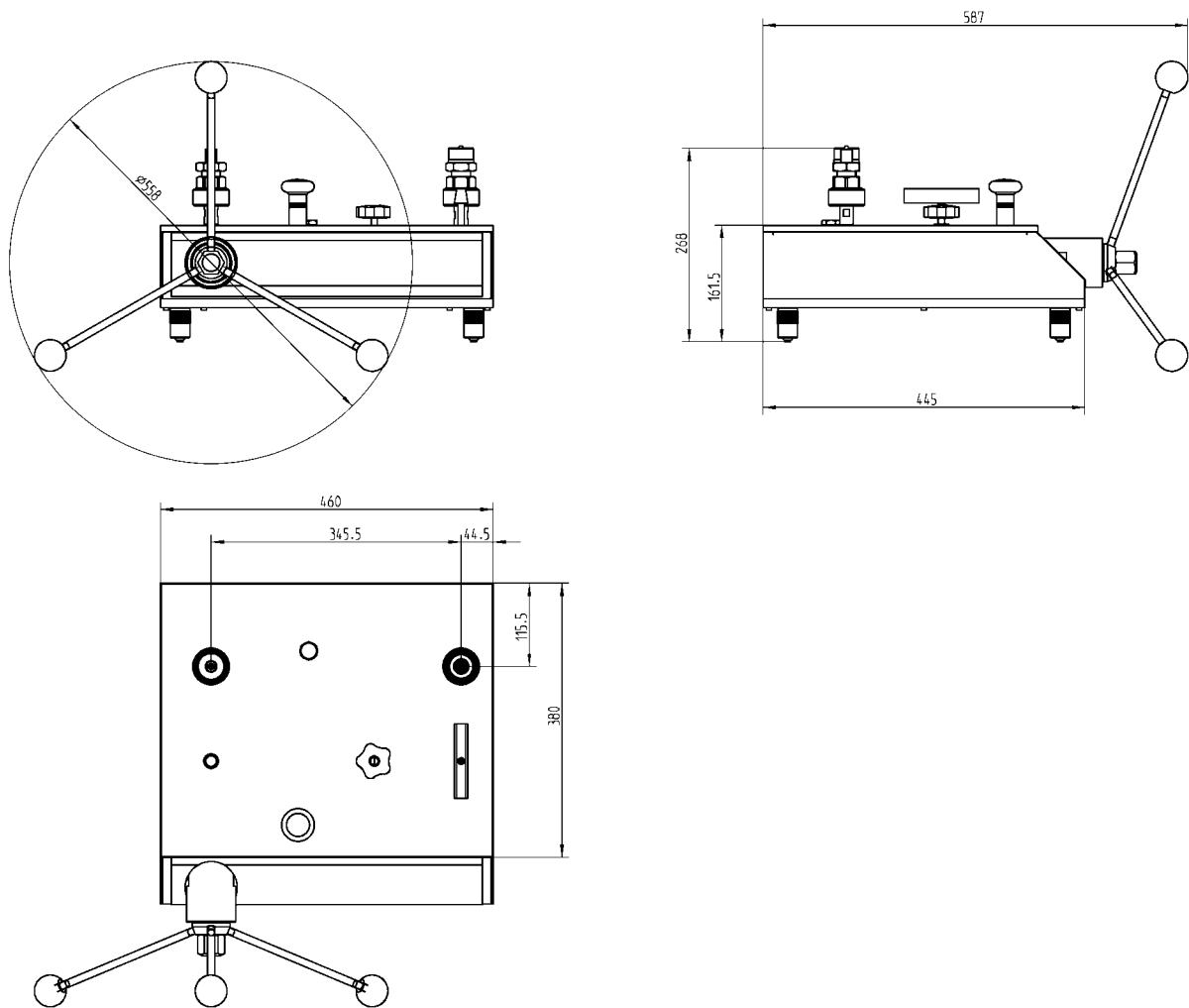
After initial filling, or after a complete oil change, air may be trapped in the system. The system should be vented using the following procedure:

- Open the high-pressure shut-off valve
- Open the low-pressure shut-off valve
- The test connections must be open
- Twist out the spindle pump counter-clockwise until it reaches the rear stop.
- Carefully pump using the initial pressure pump, while continuously observing the filling medium in the open test connections. At this point, trapped air escapes toward the exterior by means of the formation of bubbles. The initial pressure pump must be actuated until air bubbles no longer appear.
- Any oil escaping in the open test connections should be siphoned off, for example, with a nozzle.

## 6. Specifications

		LSP-5000-HP	LSP-7000-HP
Pressure range	bar	0 ... 5,000	0 ... 7,000
Medium		Oil	Oil
Pressure connections		2 x M16 x 1.5 male thread, rotating, changeable, with sealing cone	2 x M16 x 1.5 male thread, rotating, changeable, with sealing cone
Distance of the test connections	mm	346	346
Liquid reservoir	cm <sup>3</sup>	250	250
Piston diameter	mm	7.5	7.5
Swept volume per revolution	cm <sup>3</sup>	approx. 0.08	approx. 0.08
Overall swept volume	cm <sup>3</sup>	approx. 2.5	approx. 2.5
Required moment at			
- 250 bar	Nm	1.5	1.5
- 500 bar	Nm	3.0	3.0
- 1,000 bar	Nm	6.0	6.0
- 2,500 bar	Nm	15	15
- 5,000 bar	Nm	30	30
- 7,000 bar	Nm	-	42
Material			
- Cylinder		Stainless steel	Stainless steel
- Piston		Hardened steel	Hardened steel
- Tubing		Stainless steel 1.4404, 6 x 2 mm	Stainless steel 1.4404, 6 x 2 mm
- Sealing gaskets		NBR	NBR
Dimensions	mm	460 (W) x 445 (D) x 265 (H)	460 (W) x 445 (D) x 265 (H)
Weight	kg	32.5	32.5
CE-conformity		97/23/EC Pressure equipment directive (Module A)	97/23/EC Pressure equipment directive (Module A)

Dimensions LSP 5000 and LSP 7000



## 7. Accessories

Description / Features	Order no.
Operating fluid for LSP 5000 & LSP 7000 test pump series in plastic bottle, content 0.5 litre	LSP-HP-FLUID
Threaded adapter M16 x 1.5 male thread with sealing cone, mat.: hardened stainless steel	LSP-HP-A-M16
Threaded adapter M20 x 1.5 male thread with sealing cone, mat.: hardened stainless steel	LSP-HP-A-M20
Threaded adapter 9/16-18UNF male thread with sealing cone, mat.: hardened stainless steel	LSP-HP-A-916
Threaded adapter G 1/2 female thread with O-ring, max. 1,600 bar, mat.: 1.4571	LSP-HP-A-G12

### Recommended reference instruments:

- **Electronic Pressure Calibrator LPC 300**  
multifunctional, as per datasheet LPC 300
  
- **High Pressure Reference Sensor for LPC 300**  
Ranges up to 5000 or 8000 bar  
Accuracy up to  $\pm 0.25\%$  f.s.  
including calibration certificate



D



**Information**

Dieses Zeichen gibt Ihnen Informationen, Hinweise oder Tipps.



**Warnung!**

Dieses Symbol warnt Sie vor Handlungen, die Schäden an Personen oder am Gerät verursachen können.

# Inhalt

<b>1. Allgemeines</b>	<b>22</b>
1.1 Allgemeine Hinweise	22
1.2 Sicherheitshinweise	23
<b>2. Produktbeschreibung</b>	<b>24</b>
2.1 Allgemeine Produktinformationen	24
2.2 Anordnung der Bedienelemente LSP 5000 und LSP 7000	25
<b>3. Inbetriebnahme und Betrieb</b>	<b>26</b>
3.1 Vorbereitung	26
3.1.1 Aufstellung des Gerätes	26
3.1.2 Anschluss des Prüflings und des Referenzmessgerätes	26
3.1.3 Entlüftung des Systems	27
3.2 Betrieb	28
3.2.1 Druckerhöhung	28
3.2.2 Druckreduzierung	29
3.3 Abbau	29
<b>4. Maßnahmen bei Störungen</b>	<b>30</b>
<b>5. Wartung</b>	<b>32</b>
5.1 Verschleißteile	32
5.2 Austausch des Hydrauliköls	32
5.2.1 Hydrauliköl entfernen	32
5.2.2 Hydrauliköl einfüllen	33
5.2.3 Entlüftung des Systems (nur nach Komplettbefüllung)	33
<b>6. Technische Daten</b>	<b>34</b>
<b>7. Zubehör</b>	<b>36</b>
<b>8. Konformitätserklärung</b>	<b>37</b>
<b>9. Adressen</b>	<b>39</b>

## 1. Allgemeines

### 1.1 Allgemeine Hinweise

In den nachfolgenden Kapiteln erhalten Sie Informationen über die Vergleichsprüfpumpen LSP 500/7000  
Nachfolgend

Treten besondere Probleme auf, die in der Betriebsanleitung nicht ausführlich  
behandelt werden, erhalten Sie Auskunft unter folgender Adresse:

#### **DRUCK & TEMPERATUR Leitenberger GmbH**

Bahnhofstr. 33

D-72138 Kirchentellinsfurt / GERMANY

Tel.: 07121-90920-0

Fax: 07121-90920-99

E-Mail: DT-Info@Leitenberger.de

Die Gewährleistungszeit für die Vergleichsprüfpumpe beträgt 24 Monate nach den Allgemeinen  
Lieferbedingungen des ZVEI. Sämtliche Gewährleistungsansprüche verfallen, bei unsachgemäßer  
Handhabung bzw. bei Nichtbeachtung der Betriebsleitungen oder bei dem Versuch das Gerät zu  
öffnen bzw. Anbauteile oder die Verrohrung zu lösen.

Außerdem weisen wir darauf hin, dass der Inhalt dieser Betriebsanleitung nicht Teil einer früheren  
oder bestehenden Vereinbarung, Zusage oder Rechtsverhältnisses ist oder diese abändern soll.  
Sämtliche Verpflichtungen der DRUCK & TEMPERATUR Leitenberger GmbH ergeben sich aus dem  
jeweiligen Kaufvertrag und den Allgemeinen Geschäftsbedingungen der DRUCK & TEMPERATUR  
Leitenberger GmbH.

Firmen- oder Produktnamen, die in diesem Handbuch erwähnt werden, sind eingetragene  
Warenzeichen dieser Hersteller.

Die beschriebenen Geräte entsprechen in ihren Konstruktionen, Maßen und Werkstoffen dem  
derzeitigen Stand der Technik. Änderungen und den Austausch von Werkstoffen behalten wir uns vor,  
ohne den Zwang umgehend darauf hinzuweisen.

Eine Vervielfältigung dieses Handbuches oder Teilen davon ist untersagt.

## 1.2 Sicherheitshinweise



**Lesen Sie diese Bedienungsanleitung sorgfältig, bevor Sie die Vergleichsprüfpumpen LSP 5000 und LSP 7000 einsetzen. Die Funktion und Betriebssicherheit des Gerätes kann nur dann gewährleistet werden, wenn die Sicherheitshinweise der Betriebsanleitung beachtet werden.**

1. Das Gerät darf nur von dafür ausgebildeten und befugten Personen bedient werden, die die Betriebsanleitung kennen und danach arbeiten können!
2. Die einwandfreie Funktion und Betriebssicherheit des Gerätes kann nur unter Berücksichtigung der im Kapitel "Aufstellung des Gerätes" beschriebenen Bedingungen eingehalten werden.
3. Die LSP 5000 oder LSP 7000 ist stets mit der für ein Präzisionsgerät erforderlichen Sorgfalt zu behandeln (vor Nässe, Stößen und extremen Temperaturen schützen). Das Gerät muss pfleglich behandelt werden (nicht werfen, aufschlagen, etc.) und ist vor Verschmutzung zu schützen. Vermeiden Sie unbedingt jegliche Gewalteinwirkung auf die Bedienungselemente der Pumpen.
4. Wird das Gerät von einer kalten in eine warme Umgebung transportiert, sollte die Angleichung der Gerätetemperatur an die Raumtemperatur vor einer erneuten Inbetriebnahme abgewartet werden.
5. Wenn anzunehmen ist, dass das Gerät nicht mehr gefahrlos betrieben werden kann, so ist es außer Betrieb zu setzen und vor einer Wiederinbetriebnahme durch Kennzeichnung zu sichern. Die Sicherheit des Benutzers kann durch das Gerät beeinträchtigt sein, wenn es zum Beispiel:
  - Sichtbare Schäden aufweist.
  - Nicht mehr wie vorgeschrieben arbeitet.
  - Längere Zeit unter ungeeigneten Bedingungen gelagert wurde.In Zweifelsfällen das Gerät grundsätzlich an den Hersteller zur Reparatur bzw. Wartung einschicken.
6. Es dürfen am Gerät keine Veränderungen oder Reparaturen vom Kunden vorgenommen werden. Das Öffnen des Gerätes oder das Lösen von Anbauteilen oder der Verrohrung beeinträchtigt die Funktions- und Betriebssicherheit und stellt eine Gefahr für die Bedienperson dar. Zur Wartung oder Reparatur muss das Gerät zum Hersteller eingesandt werden.
7. Es dürfen nur Original-Dichtungen im Gerät verwendet werden.
8. Ein anderer Betrieb als der in der folgenden Anleitung beschriebene oder außerhalb der Spezifikationen, ist bestimmungswidrig und muss deshalb ausgeschlossen werden.

## 2. Produktbeschreibung

### 2.1 Allgemeine Produktinformationen

#### ■ Einsatz

Prüfpumpen dienen zur Druckerzeugung für die Überprüfung, Justage und Kalibrierung von mechanischen und elektronischen Druckmessgeräten durch Vergleichsmessungen. Diese Druckprüfungen können stationär in Labor, Werkstatt oder vor Ort an der Messstelle stattfinden.

#### ■ Funktionsweise

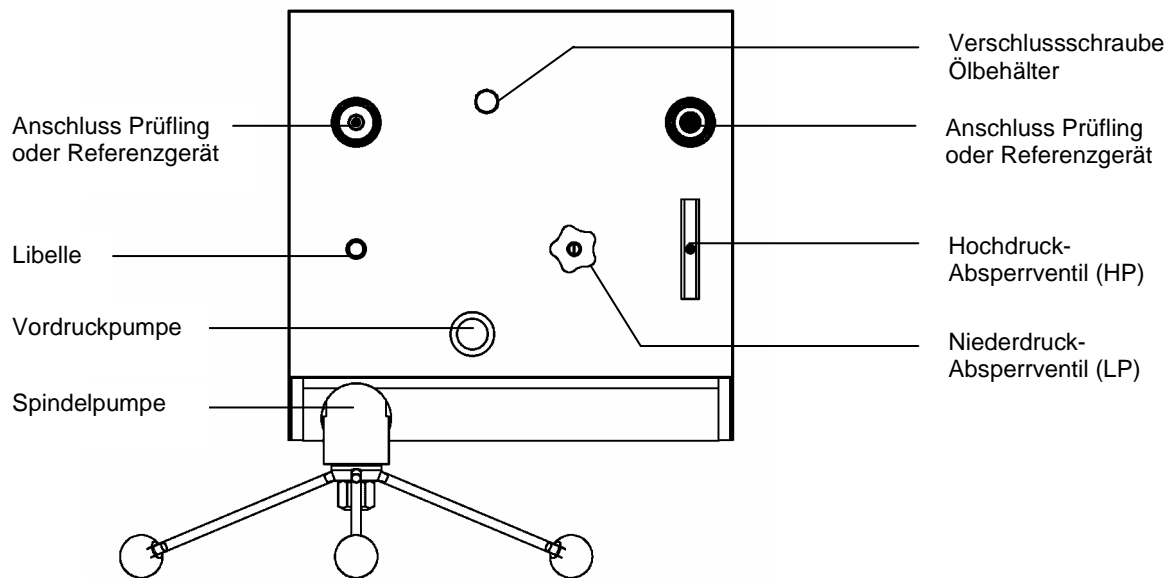
Die Vergleichsprüfpumpe verfügt über 2 Anschlüsse für Prüfling und Referenzmessgerät, die in beliebiger Reihenfolge nutzbar sind. Schließt man das zu prüfende Gerät und ein hinreichend genaues Referenzmessgerät an der Prüfpumpe an, so wirkt bei Betätigung der Pumpe auf beide Messgeräte der gleiche Druck. Durch Vergleich der beiden Messwerte bei beliebigen Druckwerten kann eine Überprüfung der Genauigkeit bzw. eine Justage des zu prüfenden Druckmessgerätes erfolgen. Die Einstellung des Druckes erfolgt zunächst über eine integrierte Vordruckpumpe. Zur Feineinstellung beim Anfahren der Messpunkte steht ein regelbares Volumen mit Präzisionsspindel zur Verfügung. Die Pumpen sind zudem durch die nur innerhalb des Pumpenkörpers laufende Drehspindel charakterisiert. Damit entfällt ein nachteiliges Biegemoment auf eine herausgedrehte Spindel und speziell für den Feldeinsatz besteht damit der Vorteil, dass sich die Abmessungen dieser Pumpen während des Betriebes durch das Drehen der Spindel nicht verändern.



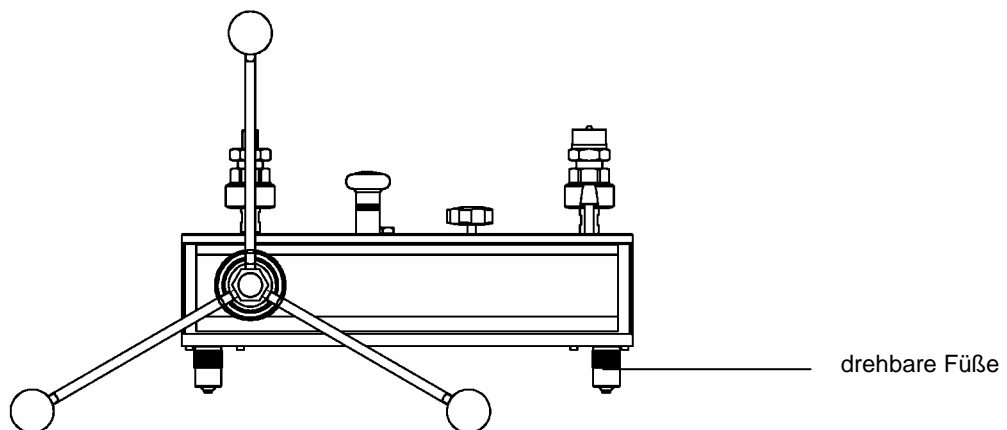
Die Bezeichnung "Referenzmessgerät" in diesem Handbuch bezieht sich auf jedes Druckmessgerät wie: Federmanometer, elektrisches Druckmessgerät und Druckmessumformer mit elektrischem Ausgang. Die Vergleichsprüfpumpe ist nur so genau wie das verwendete Referenzdruckmessgerät. Das Referenzdruckmessgerät sollte regelmäßig recalibriert werden, um sicherzustellen, dass seine Genauigkeit beibehalten wird.

2.2 Anordnung der Bedienelemente LSP 5000 und LSP 7000

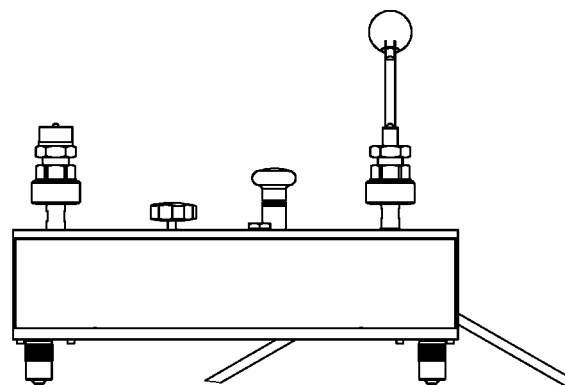
■ Draufsicht



■ Frontansicht



■ Rückansicht



### 3. Inbetriebnahme und Betrieb

#### 3.1 Vorbereitung

##### 3.1.1 Aufstellung des Gerätes

- Die Vergleichsprüfpumpe auf einer festen Unterlage aufstellen. Ein unsicherer Stand oder Vibrationen beeinflussen die Messung und sollten vermieden werden.
- Die Libelle zeigt die Ausrichtung des Gerätes an. Über die drehbaren Füße wird das Gerät in die Waagrechte gestellt.
- Ggf. muss der Ölvorratsbehälter auf- bzw. nachgefüllt werden (Inhalt 250 ml). Hierzu ist die Verschlusschraube mit dem Öleinfüllsymbol auf der Basemanteloberseite zu öffnen. Zum Nachfüllen ist Spezialöl zu verwenden (0,5 Liter im Lieferumfang enthalten bzw. als Zubehör erhältlich). Bei Erstbefüllung oder nach einem kompletten Austausch des Öls ist das System zu entlüften. Hierzu ist nach Pkt. 5.2.3 vorzugehen.
- Die Griffstangen des Drehkreuzes auf die Spindelpumpe aufschrauben.
- Es empfiehlt sich, die Spindelpumpe zu Beginn der Messwertaufnahme komplett herauszudrehen (im Gegen-Uhrzeigersinn) um genügend Volumen für die Messungen bereit zu stellen. Während dieses Vorgangs ist das Auslass-Ventil zu öffnen.

##### 3.1.2 Anschluss des Prüflings und des Referenzmessgerätes



**Vor Lösen der Verschlussstopfen in den Prüfanschlüssen, den drucklosen Zustand des Systems (Spindelpumpe im Gegen-Uhrzeigersinn komplett zurückgedreht, Hochdruck-Absperrventil öffnen, Niederdruck-Absperrventil öffnen) sicherstellen.**

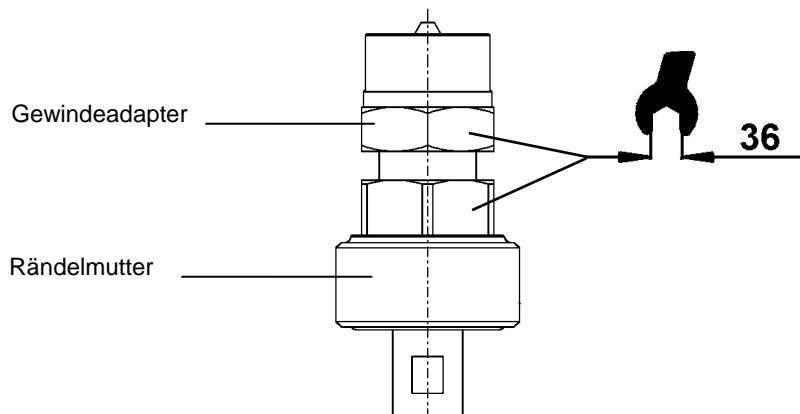
**Hinweis: Die Verschlussstopfen dienen nur zum Verschließen der Prüfanschlüsse gegen auslaufendes Öl oder eindringende Verschmutzung. Sie dürfen auf keinen Fall mit Druck beaufschlagt werden.**

- Die Prüfanschlüsse besitzen eine Rändelmutter mit G 3/4 Innengewinde, in das verschiedene Gewindeanschlussadapter eingeschraubt werden können. Standardmäßig sind im Lieferumfang 2 Gewindeadapter mit M16 x 1,5 Außengewinde mit Dichtkonus enthalten:



Als Zubehör sind Anschlussadapter auf M20 x 1,5 Außengewinde und 9/16-18UNF Außengewinde jeweils mit Dichtkonus, sowie auf G 1/2 Innengewinde mit O-Ring-Abdichtung erhältlich. Der maximal zulässige Druck ist beim Einsatz dieses Adapters auf 1600 bar begrenzt.

- Montieren Sie zunächst die passenden Gewindeadapter an Prüfling und Referenzmessgerät.
- Verbinden Sie anschließend Prüfling und Referenzmessgerät inkl. montierten Gewindeadaptern mit der Rändelmutter der Prüfanschlüsse an der Prüfpumpe. Durch die freilaufende Rändelmutter ist ein Orientieren der Geräte möglich. In der gewünschten Aufspannposition ziehen sie die Rändelmutter und den Gewindeadapter mit einem Gabelschlüssel fest an. Die Schlüsselweite an der Rändelmutter und am Gewindeadapter ist SW 36.



- Es sind keine zusätzlichen Dichtelemente erforderlich. Die Abdichtung erfolgt rein metallisch über den Dichtkonus.

### 3.1.3 Entlüftung des Systems

Nach dem Aufspannen von Prüfling und Referenzgerät können sich Lufteinschlüsse im System befinden. Das System kann vor dem Beginn der Kalibrierung durch folgende Vorgehensweise entlüftet werden:

- Prüfling und Referenzgerät müssen aufgespannt sein
- Niederdruck-Absperrventil schließen
- Hochdruckabsperrentil öffnen
- Über die Vordruckpumpe einen Druck von ca. 50 bar erzeugen
- Hochdruckabsperrentil schließen
- Mit der Spindelpumpe den Druck bis knapp unter den Messbereichsendwert des Prüflings bzw. des Referenzgerätes (kleinerer Druckbereich ist entscheidend) erhöhen.
- Hochdruck-Absperrventil vorsichtig öffnen, vorhandene Lufteinschlüsse entweichen in den Tank
- Niederdruck-Absperrventil öffnen

Dieser Vorgang ist mehrmals zu wiederholen, um sämtliche Lufteinschlüsse zu entfernen.

Das Öffnen des Hochdruck-Absperrventils ohne vorheriges Herausdrehen der Spindelpumpe im Gegen-Uhrzeigersinn, um das System auf Vordruck zu entlasten, ist nur beim hier beschriebenen Entlüftungsvorgang zulässig.



**Nach der Vordruckerzeugung muss das Hochdruck-Absperrventil immer geschlossen werden, bevor mit der Spindelpumpe der Druck erhöht wird. Ein integriertes Sicherheitsüberströmventil (eingestellt auf ca. 100 bar) schützt den Niederdruckkreislauf zusätzlich gegen Bedienerfehler ab.**

Das Gerät ist nun einsatzbereit

### 3.2 Betrieb



Der zulässige Druck beträgt bei der LSP 5000 maximal 5000 bar bzw. bei der LSP 7000 maximal 7000 bar. Größere Drücke können die Pumpe beschädigen. Referenzmessgerät, Prüfling und evtl. eingesetzte Verbindungsrohre dürfen nicht durch unzulässig hohen Druck überlastet werden.

#### 3.2.1 Druckerhöhung



Es empfiehlt sich, die Spindelpumpe zu Beginn der Messwertaufnahme komplett herauszudrehen (im Gegen-Uhrzeigersinn) um genügend Volumen für die Messungen bereit zu stellen. Während dieses Vorgangs ist das Niederdruck- und das Hochdruck-Absperrventil zu öffnen.

- Das System muss mit Öl gefüllt sein und anschließend vorkomprimiert werden.
- Hierzu müssen sich die Ventile in Grundstellung befinden:
  - Niederdruck-Absperrventil zu
  - Hochdruck-Absperrventil auf
- Danach mehrere Hübe mit der Vordruckpumpe ausführen – der Druck steigt auf max. ca. 50 bar (abhängig vom angeschlossenen Messgerätevolumen).
- Hochdruck-Absperrventil muss nach der Vordruckerzeugung geschlossen werden.
- Anschließend über die eingebaute Spindelpumpe im Uhrzeigersinn den Druck erhöhen bzw. die Feineinstellung vornehmen, um die einzelnen Kalibrierpunkte anzufahren.



**Nach der Vordruckerzeugung muss das Hochdruck-Absperrventil immer geschlossen werden, bevor mit der Spindelpumpe der Druck erhöht wird. Ein integriertes Sicherheitsüberströmventil (eingestellt auf ca. 100 bar) schützt den Niederdruckkreislauf zusätzlich gegen Bedienerfehler ab.**

- Die Anzeige des zu prüfenden Druckmessgerätes kann an den einzelnen Kalibrierpunkten mit dem Referenzmessgerät verglichen werden.



Wenn im System noch geringe Luftbestandteile mitverdichtet werden, fällt der erzeugte Prüfdruck zunächst etwas ab und ist entsprechend nachzustellen.

Bei hohen Drücken ist mit einer größeren Wartezeit zu rechnen als bei kleineren Drücken, bis der Beharrungszustand erreicht ist.

### 3.2.2 Druckreduzierung

- Die Spindelpumpe im Gegen-Uhrzeigersinn drehen, um das System zu entlasten.
- Befindet sich der Druck in der Nähe der nächsten Prüfstufe, kann die Feineinstellung über das Spindelrad vorgenommen werden.
- Ist die Spindelpumpe komplett im Gegen-Uhrzeigersinn zurückgedreht, befindet sich nur noch der Vordruck im System.
- Jetzt kann das Hochdruck-Absperrventil geöffnet werden



**Öffnen Sie das Hochdruck-Absperrventil immer erst dann, wenn der Druck im System auf Vordruck entlastet ist. Hierzu ist immer zuerst die Spindelpumpe im Gegen-Uhrzeigersinn komplett zurückzudrehen.**

- Der Vordruck kann über vorsichtiges Öffnen des Niederdruck-Absperrventils weiter entlastet werden.
- Durch vollständiges Öffnen des Niederdruckabsperrentils entweicht der Vordruck komplett zurück in den Tank.
- Das System ist nun komplett entlastet



**Auch wenn sie das System von einem hohen Druck sofort vollständig auf Null entlasten wollen, muss zuerst die Spindelpumpe im Gegen-Uhrzeigersinn komplett zurückgedreht werden. Danach öffnen sie das Hochdruck-Absperrventil und anschließend öffnen sie das Niederdruck-Absperrventil. Der Vordruck entweicht dann vollständig in den Tank. Das System ist nun komplett entlastet.**

### 3.3 Abbau

- Nach Aufnahme aller Druckpunkte, drucklosen Zustand des Systems sicherstellen (siehe hierzu Pkt. 3.2.2)
- Jetzt können der Prüfling und das Referenzmessgerät vom Prüfanschluss abgenommen werden.



**Demontieren sie den Prüfling oder das Referenzmessgerät erst, wenn der Druck in der Vergleichsprüfpumpe vollständig abgebaut ist.**

- Die Griffstangen des Drehkreuzes können wieder von der Spindelpumpe abgeschraubt werden.

#### 4. Maßnahmen bei Störungen



Können Störungen mit der Hilfe der Betriebsanleitung nicht beseitigt werden, ist das Gerät unverzüglich außer Betrieb zu setzen und der Hersteller ist zu kontaktieren.

Reparaturen dürfen nur vom Hersteller durchgeführt werden. Eingriffe und Änderungen am Gerät durch den Betreiber sind unzulässig.

Bei Störungen, die auf Defekte an der hydraulischen Ausrüstung zurückzuführen sind, muss das Bedienpersonal unverzüglich die Vorgesetzten informieren und qualifiziertes sowie autorisiertes Fachpersonal für Instandhaltung hinzuziehen.

Tabelle: Fehlerbeschreibung und Maßnahmen

Fehlerart	Maßnahmen
I. Kein Druckaufbau möglich bei Vordruck-erzeugung	<ul style="list-style-type: none"> <li>■ Niederdruck-Absperrventil richtig verschließen</li> <li>■ <b>Achtung:</b> Das Absperrventil darf nur fingerfest angezogen werden, sonst kann der Ventilsitz beschädigt werden.</li> <li>■ Überprüfen Sie, ob sich im Ölbehälter ausreichend Betriebsflüssigkeit befindet.</li> </ul>
II. Kein weiterer Druckaufbau möglich bei Hochdruckerzeugung mit der Spindelpumpe	<ul style="list-style-type: none"> <li>■ Hochdruck-Absperrventil richtig verschließen</li> <li>■ <b>Achtung:</b> Bei geöffnetem oder nicht richtig geschlossenem Hochdruck-Absperrventil wird ab ca. 100 bar das Sicherheitsüberströmventil aktiviert und das Öl strömt in den Tank zurück. Es kann daher kein Druck &gt; 100 bar aufgebaut werden.</li> </ul>
III. Kein Druckaufbau möglich / Ölaustritt an Prüfanschlüssen	<ul style="list-style-type: none"> <li>■ Prüfling und Referenzgerät mit Anschlussadapter und Rändelmutter festziehen (siehe Pkt. 3.1.2)</li> <li>■ Bei Verschleiß oder Beschädigung am Dichtkonus ist wie unter Pkt. 5.1 beschrieben vorzugehen.</li> </ul>
IV. Kein Druckaufbau möglich bzw. Messbereichsendwert nicht erreichbar	<ul style="list-style-type: none"> <li>■ Nach dem Aufspannen von Prüfling und Referenzmessgerät können sich Lufteinschlüsse im System befinden.</li> <li>■ <b>Achtung:</b> Das System sollte vor dem Beginn der Kalibrierung entlüftet werden. Hierbei ist wie unter Pkt. 3.1.3 beschrieben vorzugehen.</li> <li>■ Danach Druck neu aufbauen</li> </ul>

V. Langsames Abfallen des Druckes

- Leckage im System, siehe Punkt III.
- Wenn im System noch geringe Luftbestandteile mitverdichtet werden, fällt der erzeugte Prüfdruck zunächst etwas ab und ist entsprechend nachzustellen.
- Wenn das System schnell mit Druck beaufschlagt wurde, braucht es eine gewisse Zeit (< 1 Minute), damit es sich thermisch stabilisieren kann. Der Druck ist entsprechend nachzustellen.
- Nach dem Aufspannen von Prüfling und Referenzmessgerät können sich Lufteinschlüsse im System befinden, siehe Punkt IV.
- Danach Druck neu aufbauen

Weitere Hilfe erhalten Sie durch DRUCK & TEMPERATUR Leitenberger GmbH.

## 5. Wartung

### 5.1 Verschleißteile

Die Abdichtung in den Prüfanschlüssen erfolgt rein metallisch über Dichtkonus. Die einzelnen Komponenten sind aus verschleißfesten Materialien gefertigt. Sollten die Dichtflächen am Innen- bzw. Außenkonus Verschleißerscheinungen oder Beschädigungen aufweisen, sind die Komponenten auszutauschen. Bitte wenden sie sich in diesem Fall an den Hersteller.

### 5.2 Austausch des Hydrauliköls

Das Hydrauliköl sollte bei sichtbarer Verunreinigung ausgetauscht werden.

#### 5.2.1 Hydrauliköl entfernen

- Verschlusschraube mit Einfüllsymbol auf Basement-Oberseite öffnen
- Öl aus Tank z.B. mit einer geeigneten Spritze absaugen
- Kleine Restölmengen können zusätzlich an den geöffneten Prüfanschlüssen abgesaugt werden. Hierzu ist die Spindelpumpe bei geöffnetem Niederdruck- und Hochdruck-Absperrventil langsam im Uhrzeigersinn einzudrehen.
- Geringe Restölmengen können im Rohrleitungssystem zurückbleiben



Bei starker Verschmutzung des Hydrauliköls ist ggf. eine Komplettreinigung der Verrohrung und aller medienberührten Einzelkomponenten des Basements im demontierten Zustand zu empfehlen. Dieser Eingriff darf nur vom Hersteller durchgeführt werden.



**Die Altölentsorgung muss gemäß den gesetzlichen Bestimmungen erfolgen.**

### 5.2.2 Hydrauliköl einfüllen

- Hochdruck-Absperrventil öffnen
- Niederdruck-Absperrventil öffnen
- Spindelpumpe im Uhrzeigersinn bis zum vorderen Anschlag eindrehen
- Verschlusschraube mit Öleinfüllsymbol auf Basementoberseite öffnen
- Spezialöl (1 Liter im Lieferumfang enthalten bzw. als Zubehör erhältlich) über die Tanköffnung einfüllen bis der Füllstand das Gewinde der Tanköffnung erreicht (ca. 250 ml). Die Füllhöhe ist hierbei stets zu beobachten.
- Spindelpumpe gegen den Uhrzeigersinn bis zum hinteren Anschlag herausdrehen. Das Füllmedium wird vom Tank in das System gesaugt.
- Tanköffnung mit Verschlusschraube schließen

### 5.2.3 Entlüftung des Systems (nur nach Komplettbefüllung)

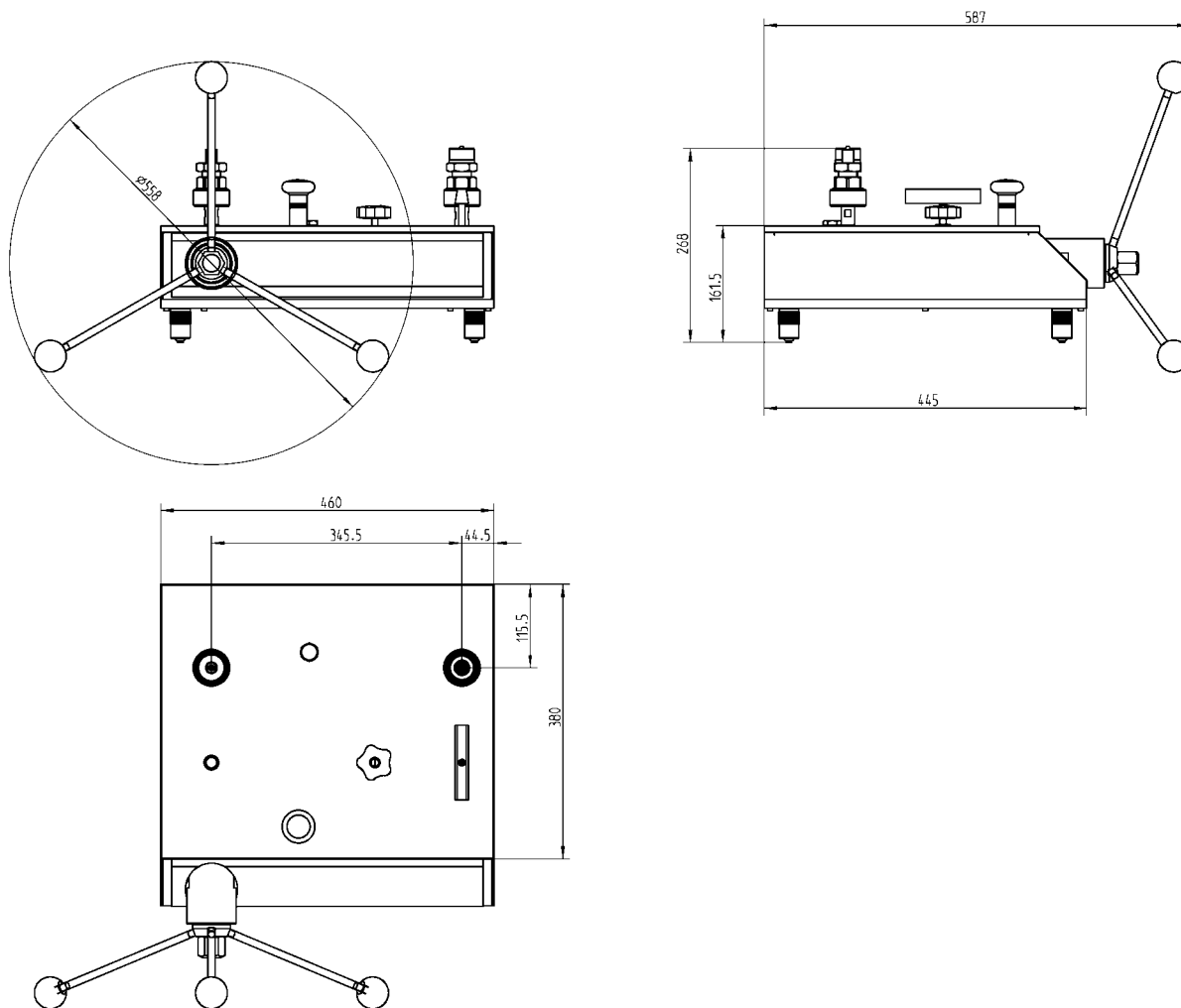
Nach der Erstbefüllung oder nach einem kompletten Austausch des Öls können sich Luftpneinschlüsse im System befinden. Das System sollte durch folgende Vorgehensweise entlüftet werden:

- Hochdruck-Absperrventil öffnen
- Niederdruck-Absperrventil öffnen
- Prüfanschlüsse müssen offen sein
- Spindelpumpe gegen den Uhrzeigersinn bis zum hinteren Anschlag herausdrehen
- Mit Vordruckpumpe vorsichtig pumpen und dabei das Füllmedium in den offenen Prüfanschlüssen beobachten. Hier tritt die eingeschlossene Luft durch Blasenbildung nach außen. Die Vordruckpumpe ist so lange zu betätigen bis keine Luftblasen mehr auftauchen.
- Austretendes Öl in den offenen Prüfanschlüssen mit z.B. einer Spritze absaugen.

## 6. Technische Daten

		LSP-5000-HP	LSP-7000-HP
Druckbereich	bar	0 ... 5000	0 ... 7000
Medium		Öl	Öl
Druckanschlüsse		2x M16 x 1,5 Außen- gewinde, freilaufend, wechselbar, mit Dichtkonus	2x M16 x 1,5 Außen- gewinde, freilaufend, wechselbar, mit Dichtkonus
Abstand Prüfanschlüsse	mm	346	346
Flüssigkeitsbehälter	cm <sup>3</sup>	250	250
Kolbendurchmesser	mm	7,5	7,5
Hubvolumen pro Umdrehung	cm <sup>3</sup>	ca. 0,08	ca. 0,08
Hubvolumen gesamt	cm <sup>3</sup>	ca. 2,5	ca. 2,5
Kraftaufwand bei			
- 250 bar	Nm	1,5	1,5
- 500 bar	Nm	3,0	3,0
- 1000 bar	Nm	6,0	6,0
- 2500 bar	Nm	15	15
- 5000 bar	Nm	30	30
- 7000 bar	Nm	-	42
Material			
- Zylinder		CrNi-Stahl	CrNi-Stahl
- Kolben		gehärteter Stahl	gehärteter Stahl
- Verrohrung		CrNi-Stahl 1.4404, 6 x 2 mm	CrNi-Stahl 1.4404, 6 x 2 mm
- Dichtungen		NBR	NBR
Abmessungen	mm	460 (B) x 445 (T) x 265 (H)	460 (B) x 445 (T) x 265 (H)
Gewicht	kg	32,5	32,5
CE-Kennzeichnung		97/23/EG Druckgeräterichtlinie (Modul A)	97/23/EG Druckgeräterichtlinie (Modul A)

Abmessungen LSP 5000 und LSP 7000



## 7. Zubehör

Bezeichnung / Ausführung	Bestell-Nr.
Spezialöl für Prüfpumpenserie LSP 5000 & LSP 7000 in Kunststoffflasche, Inhalt 0,5 Liter	LSP-HP-FLUID
Adapter für Anschlusssäule, M16 x 1,5 Außengewinde mit Dichtkonus, Mat.: Edelstahl gehärtet	LSP-HP-A-M16
Adapter für Anschlusssäule, M20 x 1,5 Außengewinde mit Dichtkonus, Mat.: Edelstahl gehärtet	LSP-HP-A-M20
Adapter für Anschlusssäule, 9/16-18UNF Außengewinde mit Dichtkonus, Mat.: Edelstahl gehärtet	LSP-HP-A-916
Adapter für Anschlusssäule, G 1/2 Innengewinde mit O-Ring, max. 1600 bar, Mat.: 1.4571	LSP-HP-A-G12

### Empfohlene Referenz-Druckmessgeräte:

- **Elektronischer Druckkalibrator LPC 300**

gem. Datenblatt LPC 300  
Multifunktional

- **Höchstdruck-Referenzsensoren für LPC 300**

Messbereiche: bis 5000 bzw. 8000 bar  
Genauigkeit: bis  $\pm 0,25\%$  v.E.



**LR-Cal**



**Herstellererklärung**

Richtlinie 97/23/EG  
"Druckgeräterichtlinie (DGRL)"

Wir erklären in alleiniger Verantwortung, dass nachstehend genannte Produkte

**Typ:**  
**LSP 1000**  
**LSP 1000-P**  
**LSP 1000-K**  
**LSP 1000-BM**

Beschreibung:  
Druckvergleichsprüfpumpe

Gem. gültigen Datenblättern LSP

mit der Richtlinie übereinstimmen und entsprechend geltender guter Ingenieurspraxis ausgelegt und gefertigt werden.

DRUCK & TEMPERATUR Leitenberger GmbH  
72138 Kirchentellinsfurt • Germany

**Declaration of the Manufacturer**

Directive 97/23/EC  
"Pressure Equipment Directive (PED)"

We declare under our sole responsibility, that the products

**Type:**  
**LSP 1000**  
**LSP 1000-P**  
**LSP 1000-K**  
**LSP 1000-BM**

Description:  
Pressure Comparison Pump

According to the actual data sheets LSP

correspondend with the directive and are designed and produced in accordance with sound engineering practice.

  
Gernot Coulon (Geschäftsführer) 01. Januar 2007

**EG-Konformitätserklärung**

Wir erklären in alleiniger Verantwortung, dass die mit CE gekennzeichneten Produkte

**Typ:**  
**LSP 1200-DL**  
**LSP 1600-DL**  
**LSP 1200-K**  
**LSP 1600-K**  
**LSP 1600-BM**  
**LSP 5000-HP**  
**LSP 7000-HP**

Beschreibung:  
Druckvergleichsprüfpumpe

Gem. gültigen Datenblättern LSP

mit der Richtlinie übereinstimmt und dem Konformitätsbewertungsverfahren 97/23/EG (DGRL) Modul A 'Interne Fertigungskontrolle' unterzogen wurde.

Die grundlegenden Sicherheitsanforderungen nach Anhang I der Richtlinie werden berücksichtigt.

Die Überprüfung des Qualitätsmanagementsystems erfolgt durch die TÜV Management Service GmbH

DRUCK & TEMPERATUR Leitenberger GmbH  
72138 Kirchentellinsfurt • Germany

**Declaration of Conformity**

We declare under our sole responsibility, that the CE marked products

**Type:**  
**LSP 1200-DL**  
**LSP 1600-DL**  
**LSP 1200-K**  
**LSP 1600-K**  
**LSP 1600-BM**  
**LSP 5000-HP**  
**LSP 7000-HP**

Description:  
Pressure Comparison Pump

Acc. to actual data sheets LSP

corresponds with the directive and was subjected to the conformity assessment procedure 92/23/EG (PED) Module A 'Internal production control'.

The essential safety requirements according to Annex I of the directive are considered.

Monitoring of the quality system is carried out by TÜV Management Service GmbH.

  
Gernot Coulon (Geschäftsführer) 01. Januar 2007

[www.Kalibriersysteme.de](http://www.Kalibriersysteme.de)  
[www.druck-temperatur.de](http://www.druck-temperatur.de)

[www.Kalibrier-Forum.de](http://www.Kalibrier-Forum.de)

Fragen & Antworten • Meinungen & Anregungen  
zur Kalibrierung von Druck- und Temperatur-Messgeräten

**LR-Cal**

