

Operating Manual

Temperature Calibration Bath

FLUID 200 • FLUID 200-H



DRUCK & TEMPERATUR Leitenberger GmbH

Bahnhofstr. 33

72138 Kirchentellinsfurt

GERMANY

Tel.: +49-7121-90920-0

Fax: +49-7121-90920-99

www.druck-temperatur.de

www.LR-Cal.com



**WARNING**

Hazardous voltage are present in this electrical equipment during operation. Non-observance of the safety instruction can result in severe personal injury or property damage.

Only qualified personnel should work on or around this equipment after becoming familiar with all warnings, safety notices, and maintenance procedures contained herein.

Only qualified personnel or our personnel should work on this equipment for maintenance operation.

The successful and safe operation of this equipment is dependant on proper handling, operation and maintenance.

Don not use the instrument for any application other than calibration of temperature, any other use of the instrument may cause hazards to the user.

Use the instrument only in normal environmental conditions.

SYMBOLS BEING USED IN THIS MANUAL OR ON THE INSTRUMENT

CAUTION: HOT SURFACE OR PART



CAUTION: REFERRED TO ACCOMPAINING DOCUMENTS



CAUTION: RISK OF ELECTRIC SHOCK

CHARACTERISTICS AND/OR INSTRUCTIONS OF **FLUID 200-H** WITH SPECIAL EQUALIZER BLOCK

N.B:

In this manual: where not specified, the numbers in parentheses make reference to the annexed drawing.

1 - INTRODUCTION

1.1 - Purpose and summary of instructions

This manual contains the use and maintenance instructions valid for the following equipment:
Portable Temperature Bath model: **FLUID 200**

The instructions reported in this manual, for the above mentioned equipment, are those relevant to:

- Start-up preparation
- Operation description
- Using of the equipment
- Re-calibration procedure
- Preventive maintenance
- Typical faults and their remedies

Users must observe all the usual safety rules out in this manual for own security and to avoid equipment failure.

2 - SCOPE OF SUPPLY

2.1 - Name:

- Portable Temperature Calibrator **FLUID 200**, including accessories, as listed. (reference to paragraph 2.7)

2.2 - Technical data:

Environmental range: temperature +5 a +45°C, U.R. max. 10-50%,

- Operative range : Environment ÷ +200°C**(FLUID 200-H: +220°C)
- Stability : $\pm 0.02^{\circ}\text{C}$ a 150°C ** ($\pm 0.05^{\circ}\text{C}$ a 150°C)
- Display resolution : 0,01/0,1°C
- Reading accuracy : $\pm 0,15^{\circ}\text{C}$ a 150°C ** ($\pm 0.25^{\circ}\text{C}$ a 150°C)
- Regulation & reading probe : Pt 100 class A din43760
- Auxiliary input : Pt100 and Thermocouples K, J, T, N, S, R (model 2I)
- Reading : °C or °F
- Interface : RS 232
- Test : 60 x 170mm – Access opening 55 mm dia. 50 cl. Capacity
- Usable liquids : Water and silicone oil
- Temperature ramps : minimum 0, 1°C/1'
- Maximum ascent rate : 10°C/1' **
- Maximum descent rate : 5÷7°C/1' ** (depending on the starting temperature)
- Thermostat test : 12 Vcc.
- Power supply : 230V $\pm 10\%$, 50/60Hz (110/115V by request)
- Power : 400VA.
- Fuse : 2,5 A type F (5X20mm)
- Size : 160x330xH370 mm
- Weight of calibrator : 10 Kg.(17 Kg with the package)
- Structure in flanged iron plate with handle.
- Micro-processor operated temperature regulator.
- Switch test.
- Internal oven in stainless steel.
- Electronic control components thermally insulated.
- Forced air cooling system.
- Socket with main cable and protection fuses.
- Electromagnetic compatibility : Emission EN50081-2
Immunity EN50082-2

NOTE: **The data marked with ** has been recorded at an ambient temperature of 20°C \pm 3, power supply 230V \pm 10%, with Pt100 \varnothing 6 mm inserted in the bath and with silicone oils 47V100, 47V20 or 200C5 according to the range. The above-mentioned data keep valid for one year after the issuing of the calibrating certificate; afterwards it is necessary to carry out the oven re-calibration.**

CONTROLLER DATA

- * Display : 2 lines 20ch x line (3,2x5,5) back lighting.
- * μ processor : 80C552 (family 80C51 CMOS).
- * Memory : -Type SRAM 8K.
-Integrated ultra low power sram, crystal, power-fail control and battery.
-Pin and function compatible with JEDEC standard 8K X8 sram.
-Automatic power-fail chip deselect/write protection.
- * A/D converter **Σ - Δ 24 bits**
- * E2PROM memory.
- * Serial communication RS232 insulated.

2.3 - Services (function):

The portable temperature calibrator **FLUID 200** has been designed for:

- Control and calibration of temperature sensors, in the laboratory and in the field, in conformity with ISO 9000 standards.
- Calibration of thermostats with light indication when electric contact close.
- Thermal test on materials.
- Possibility to set temperature ramps.

The calibrator has been designed to reduce the EMC effect in accordance with the harmonised regulation for residential, commercial, light industry and heavy industry.

N.B: The FLUID200 with the software AQ2sp for Windows™ can carry out:

- ◇ complete control of the oven from the PC
- ◇ manual or automatic calibration of one or more probes
- ◇ cyclic life or stress test on temperature sensors
- ◇ Test of thermostats to check the opening and closing of the switch
- ◇ filling and printing of the results obtained, guaranteeing that the ISO 9000 standard are observed

2.4 - Quantity:

- 1 piece.

2.5 - Constructor:

- DRUCK & TEMPERATUR Leitenberger GmbH
Bahnhofstr. 33 • 72138 Kirchentellinsfurt
Tel. +49-7121-90920-0 • Fax +49-7121-90920-99
Internet: www.druck-temperatur.de • E-Mail: DT-Export@Leitenberger.de

2.6 - N° of correspondent catalogue sheet:

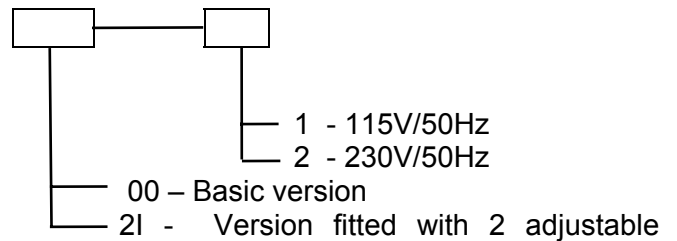
- FLUID

2.7 - List of first equipment accessories

- Standard equipment
 - * **FLUID 200** calibrator
 - * Silicon oil 47V100 and 200C5
 - * Closing top using for transport
 - * Fluid emptying system
 - * Support for probes
 - * Electric power cable
 - * Kit of fuses
 - * Kit of clamp-screw adapter for bushes (only version 2I)
 - * Thermostat testing connection cables
 - * Instructions manual
 - * Calibration certificate traceable to National Standard
 - * Plastic suitcase

- Accessories on request
 - * RS232 cable
 - * Software AQ2sp

- Order code
 - * **FLUID200**
 - * **FLUID200-H**



inputs

Example: FLUID 200-2I-2 corresponds to a 200°C model, double input, 230V- 50Hz power supply.

- Certification: all the instruments are supplied with final testing, stability and accuracy certification traceable to SIT standards.

3 – GENERAL RECCOMENDATIONS

→ATTENTION:

The temperature adjuster has been configured in the factory with the parameters that are suitable to obtain performances that go well in the entire FLUID 200 field.

Modification of these parameters could cause malfunctioning or breakage of the equipment with consequent risk of damage to objects or injury to persons.

Notes about the filling of the calibrator:

Before filling the bath, be aware of fundamental things regarding the liquids that can be used:

3.1 - Liquids

The FLUID200 calibrator is suitable in a field from room temperature up to 200°C, different liquids can be put into the bath but not many can work on the entire calibrator field.

Before using the calibrator check the temperature field of the liquid to be used and always remain under the safety limits. The upper temperature limit is conditioned by vaporisation, smokiness, flammability and chemical deterioration of the liquid.

The principal features of a liquid for constant-temperature baths are: the temperature field, viscosity, specific heat, thermal conductivity, the thermal expansion, the dielectric resistivity, life span, safety, etc.

3.1.1 – Recommended temperature field

The recommended temperature field of the principal liquids which can be used with **FLUID 200** is shown in the table. It depends principally on the equipment in which it is used. Normally the temperature field of a liquid is greater than the one shown in the table but out of these values some features of the liquid can jeopardise functioning inside the **FLUID 200**.

Liquid	Recommended field	Liquid	Recommended field
Water	10/80°C	Silicone 47V20	20/200°C (130C ^{**})
Silicone 200C5	0/125°C (136°C Mx *)	Silicone 47V100	70/200°C (170°C ^{**})

*over the **Mx** value steam triggers combustion in the presence of a naked flame.

**** smokiness increases considerably above this temperature value**

3.1.2 - Viscosity

Viscosity is the property of fluids that indicates its resistance to mixing and it depends on the type of fluid and the temperature.

The more viscous the fluid, the more difficult the mixing of the fluid and consequently the distribution of a uniform temperature inside the bath.

Liquids with a viscosity higher than 10/20 centistokes do not allow good performance of the bath, therefore they should be avoided in the FLUID200. Oil viscosity is established at room temperature, the value for water at 20°C is 1 cst, for 47v20 oil it is 20 cst, for 4v100 it is 100cst, for 200C5 it is 5 cst.

Remember that viscosity, especially in oils, varies considerably when the temperature changes: this is the reason that characterises the use of oil in a well-defined field: normally the oils become more viscous when the temperature drops, creating problems in mixing and uniform distribution of the temperature.

3.1.2 - Thermal expansion

Thermal expansion indicates how liquid volume changes with variation of the temperature.

It is an important factor especially regarding oils, which increase in volume with increase in temperature. Read the filling instructions and do not fill over the values indicated because thermal expansion could cause the liquid to escape from the bath.

Silicone oils increase by about 10% with respect to their initial volume with a temperature increase of 100°C.

3.1.3 - Life Span

The life span that you can expect depends on many conditions: evaporation, chemical deterioration, gelling, etc.

The life span of an oil becomes shorter because the higher the temperature the greater oxidation of the oil in contact with the air.

To increase the life span:

1. use the most suitable oil at high temperature oil for the shortest time possible
2. place a lid with holes on the bath to allow passage of the probes, in order to limit contact between the hot oil and air.

For example: continuous use at 200°C, in open bath conditions, of 47V20 silicone oil cause deterioration in a few tens of hours; with the deterioration of its conditions the viscosity increases considerably; at room temperature the 47V20 oil becomes doughy and mixing in the **FLUID 200** is impossible.

3.1.4 - Bath filling

Fill the calibrator with the suitable fluid depending on the field of calibration. The liquid we recommend is 47V20 silicone oil. Fill the bath with about 42-43cl of oil. Do not exceed the recommended quantity, as thermal expansion at the high temperatures could cause the liquid to escape from the upper opening.

Using 47V20, bath performances are optimal in the field from 50°C to 160°C, but with a fumes suction device it can be used up to 200°C limiting the running time to the highest values in order to increase the life span, while at a low temperature the viscosity, even if high, allows good functioning of the **FLUID 200**, adjusting the magnetic stirrer to maximum speed.

If the liquid is often used at high temperatures, we suggest you realise a lid with holes that allow passage of the probes and place it on the bath.

Before replacing the liquid in the calibrator with a different one, it is recommended to clean the container with absorbent paper in order to prevent mixtures of different liquids that worsen the operating conditions and, most of all, cause the liquid to leak due to incompatibility of the maximum temperature.

3.1.4 - Stirrer adjustment

The rotational speed of the magnetic stirrer can be adjusted using knob 6.

The speed increases with a clockwise movement. Adjustment is based on the vortex produced in the liquid: an ideal vortex should be about 2cm high.

The rotational speed should be raised, at low temperatures, when high viscosity silicone oil is used. At high temperatures reduce the rotational speed in order to prevent having vortexes that are too high causing the liquid to escape.

Switch the **FLUID 200** off if rotation is blocked, adjust the speed controller to maximum and switch the calibrator on again.

If it still doesn't work, perform the maintenance indicated in chapter 7-8.

3.1.5 - Notes regarding positioning of the probes:

In order to get the best performances in the calibration, observe the following recommendations:

1. Verify that the probe is inserted for about 140÷150 mm, avoiding touching the bottom.
2. As for the calibration by means of a reference sample, it is necessary to position the two probes, respectively the sample one and the probe to be calibrated, at the same level and as close as possible.
3. Do not insert the probes in the centre of the tank as they interfere with stirring.
4. Always verify the operating range of the probes and thermostats before calibration; only introduce them into the liquid if the calibration range is compatible with the temperatures set on the instrument. (For example: introducing a probe with a range of 0÷150°C into a liquid at a temperature higher than 150°C could determine the breakage of the probe's sensitive element).

1. Do not close the container when the temperature is very high; wait for the temperature of the liquid to reach room temperature and then close using the appropriate lid.
2. Avoid transporting the **FLUID 200** calibrator without having emptied and closed it beforehand, following the previous recommendations.

The lid is equipped with a shut-off valve calibrated at 10mbar to let out vapours. The valve cannot hold the liquid; therefore avoid transporting the FLUID containing liquid because in the case of overturning the liquid would escape through the bleeder valve.

4 - SAFETY INSTRUCTIONS

ATTENTION:



- Due to the fact that the thermostat is a portable instrument, it is very important to ensure that the socket has been earthen correctly when connecting it to the electricity supply.
- Carry out the maintenance and repair operation only with the equipment at ambient temperature and disconnected from the electric power.



- During the use of the calibrator, the upper protection grid may overheat.
- Don't touch the probe to calibrate when it's in the well.
- After using wait for the stabilisation at ambient temperature before returning the calibrator to its carrying case.



- Don't change absolutely the configuration parameters.
- Do not operate the instrument in an excessively wet, oily, dusty, or dirty environment.

The equipment adopt the following devices to protect operation from hazard:

- Protection fuse (3)
- Thermal fuse to protect the container in case of over-temperature
- Ground conductor.
- Closing tap for the transport

Suggest:

- Don't put anything on the top of the calibrator.
 - Don't put fuel object near the calibrator.
 - If the bath is operating at high temperature, a fume hood should be used to remove any vapours given off by hot bath fluid.
 - Never put any type of liquid unless water or silicon oil inside the calibration block.
- use common sense any time.

AFTER EVERY USE AT HIGH TEMPERATURE REMEMBER TO SET UP AMBIENT TEMPERATURE FOR ONE HOUR IN ORDER TO COOL DOWN THE CALIBRATOR BEFORE SWITCHING OFF

5 - PREPARATION OF OPERATION



- Remove the calibrator from the carrying case and place it on a flat and level surface.
- Make sure that the instrument has been correctly earthen.
- Supply the oven with line 2A- 230V, 50Hz (110 o 100V where required) + earth.
- Before start the calibration read with attention the instruction manual, specially the paragraph 3: - General recommendation -.

5.1 - Installation

5.1.1 - Removal of packaging

The calibrator is equipped with packaging suitable for transport and traditional shipping systems. Any damage caused during transport must be notified immediately to the transporters and a claim must be made.

5.1.2 - Positioning the calibrator

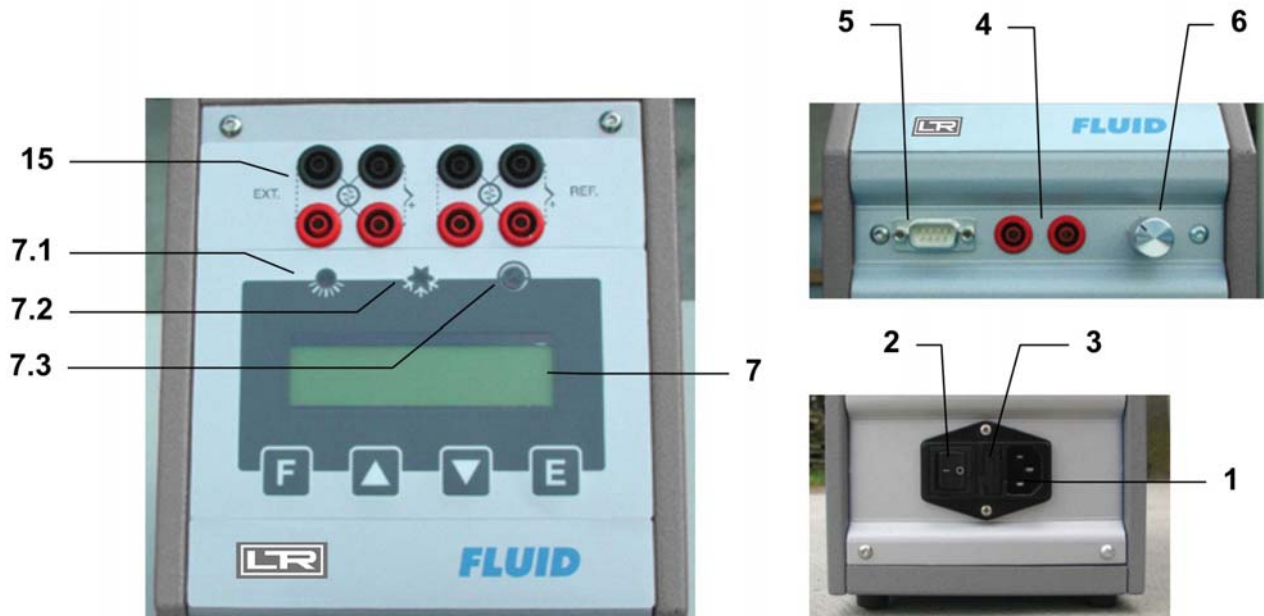
Position the calibrator in a safe clean place.

****DANGER:** The calibrator is suitable for operating at high temperatures with the consequent danger of fire. Keep it away from any type of inflammable materials and never put any type of liquid inside the block (reference to paragraph 4).

* **WARNING:** To avoid any smell in the room it is better to switch on the calibrator outside the room or to use a fume hood to remove any vapours given off by hot bath fluid.

5.1.3 - Supply

The calibrator runs on a voltage of 230 Vac (110-100V by request), single-phase, 50/60Hz. A 2.5mt. cable is supplied with the calibrator fitted with 2 conductors plus earth (2.5mm²). Make sure that the plant is earthen correctly before switching the instrument on.



COMMANDS LIST

POS.	DESCRIZIONE
1	SUPPLY SOCKET
2	MAIN SWITCH
3	PROTECTION FUSES
4	SWITCH TEST PLUGS
5	RS232
6	MIXER SPEED CONTROL
7	DISPLAY
7.1	HEATING LED
7.2	COOLING LED
7.3	SWITCH TEST LED
15	EXTERNAL PROBES SOCKETS (OPTIONAL)

6 - OPERATION PROCEDURE

6.1 - Operation description

The **FLUID 200** calibrator consist of an Aluminium block with one hole into which the sensors to be calibrated are inserted. The capacity of the Fluid is 500cc.

A heater element heats the block and an electronic μ controller with triac output checks and regulates the temperature. Liquid stirring is ensured by a magnetic system. A grid, to prevent the inserted probes from stopping its operation protects the stirrer. A speed adjustment system is supplied, to ensure the best homogeneous condition, according to the type of fluid used.

A fan mounted in the bottom side generates a constant air flow that reduces the temperature of the case.

6.2 - Description of instrument

6.2.1 - Thermoregulator

The thermo regulator (7) is a PID microprocessor which can be set from 0 to 200°C. The upper display shows the measured value while the lower one displays the input set point value (this state is defined as "normal display mode").

For further specifications and methods of use, see the paragraph 10.1 concerning the thermo regulator.

6.2.2 - Main switch

The main switch (2) is found on the front of the instrument; it is fitted with a socket for the voltage cable, a main switch and one fuse (2,5A for 230V mod).

Note: use only fuses F. 5x20mm. All the electrical part is found below the main switch.

6.2.3 - Carrying handle

The calibrator is fitted with a carrying handle

6.2.4 - Heating resistance

The resistance is stainless steel made; the max. power is 400W at 230V.

6.2.5 - Liquid container

The container is made of anodised aluminium, the capacity is about 500 cc.

Follow the indication of chapter 3 to fill the container with the suitable calibration liquid.

The magnetic stirrer inside the container makes the temperature of the liquid homogeneous in order to have the best performance. A metallic grid protects the magnetic stirrer.

6.2.6 - Temperature sensor

The temperature sensor used for the reading and thermoregulation is a PT100 Ω probe; the probe is inserted directly into the aluminium container.

6.3 - Start-up instructions

ATTENTION:

- The calibrator can only be used correctly if the user has a good knowledge of its basics.
- Before starting with the calibration following the installation procedures (paragraph 5); read the instruction on paragraph 3 & 4.

To calibrate the probe it is possible to follow two ways: calibration with internal indicator (8), or calibration with external reference.

Calibration with the internal indicator (7):

Make reference to the temperature value of the display (7) (fig.2).

It is opportune to refer the value to the test report to compensate the error of the display.

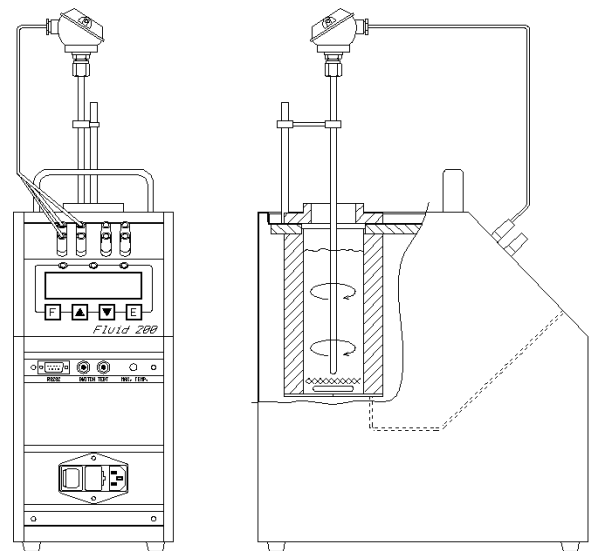


Fig.2

Calibration with external reference and reading on the calibrator display:

Make reference to the temperature value of the external standard instrument inserted in the container and connected directly to the FLUID (Fig.3); temperature is read on the second line of display (for the configuration of the external reference seeing 10.1). When possible: put the sensitive elements of the probes near and at the same dept (reference to Fig.3)

Calibration with external reference and reading on an external instrument:

Make reference to the temperature value of the external standard instrument inserted in the container and connected to an external instrument (Fig.3). When possible: put the sensitive elements of the probes near and at the same dept (reference to fig.3).

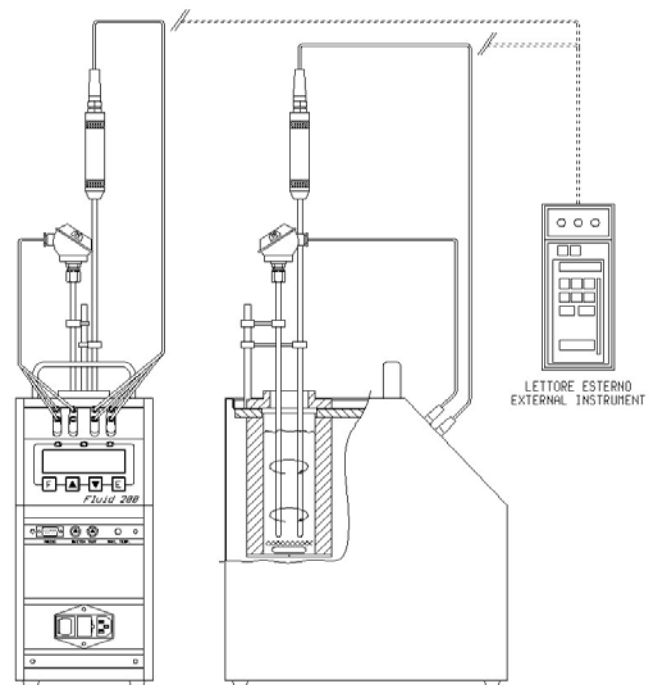


Fig.3

Before any calibrations follow the general recommendation (chapter 3):

- Starting the calibration only at ambient temperature: thermal shock can break the sensitive element of the probe and cause harm to operator.
- Put the probe to check into the bath: reference to chapter 3.
- Switch on the calibrator with the main switch (2); waiting for the end of autotest procedure.
- Set the required temperature value on the display:
 - ◇ Press the ▲ key to increment the set point value.
 - ◇ Press the ▼ key to decrement the set point value.
 - ◇ **Press the - E - key to confirm the input value.**
- It is advisable to wait for the stabilisation of the oven before starting any calibration.
- Adjust the stirrer with the knob 6 for the best performance. The fluid must be mixed well for good temperature uniformity and fast controller response. Set the knob in middle position to start.
- The display shows the temperature of the calibrator and the set-point; when the temperature is reached and it's stable, the display shows the symbol ±
- For different calibration point, regulate the set point at the new temperature and wait for the stabilisation.
- The temperature indicated by display must not be considered as a reference temperature but only as a general indication of the temperature inside the bath.
We suggest to insert one primary standard with SIT certificate in the bath and compare the measure with the values indicated by the standard.
In case the **FLUID 200** is connected with an external probe SIT certificated (ref. 6.4.1), the calibrator/probe system is considered a primary standard.

N.B: To modify the regulation parameter or to set the ramp, see the instructions on chapter 10.1.

ATTENTION



- At the end of the calibration DO NOT remove the probe if it is still at high temperature.
- Always allow the calibrator to cool off with the probe still inserted in order to avoid thermal shock to the probe itself and harm to people or things.
- Before moving the calibrator make sure that the temperature of the liquid is close to the ambient temperature and the closing cap is well tightened.



- Cooling

To reduce the oven's temperature, change the set point and wait for the natural cooling.

6.4 - Use of the function

6.4.1 - Reading the external probes (only for model –2I)

It is possible to display one or two probes tied to the EXT and REF inputs.

The following probes can be connected:

1. THERMOCOUPLES TYPE J, K, R, S, N with automatic compensation of the terminal clamp temperature.
2. THERMAL RESISTANCE Pt 100 to 2, 3 or 4 wires.

- Connect the probe’s wires to the clamps (15) as it is indicated in the figures.
 - ◊ Thermocouple – connect the wires to the clamps 2-4 to make attention to the polarity; connect the clamps 1-3 as indicated. Reference to Fig. 6-A and select the thermocouple.
 - ◊ Pt100 to 4 wires – connect the clamps 1-2-3-4 as indicated in Fig. 6-B and select Pt100.
 - ◊ Pt100 to 3 wires – connect the wires to clamps 1-2-3; connect the clamps 3-4 . and select Pt100 3W. Reference to Fig. 6-C
 - ◊ Pt100 to 2 wires – connect the wires to clamps 2-4; connect the clamps 1-2 & 3-4; select Pt100; In case of two wires connections remembers to us shortest wires possible. Refer to Fig. 6-D
- In order to read the external probe’s temperature press the **F** key up to read SENSOR, select EXT or REF or EXT + REF then confirm with E key. Press the **▲** and **F** keys together to jump to the second level of the parameters, press **F** to read EXT SENSOR TYPE and REF SENSOR TYPE and press the **▼** and the **▲** keys to select the probe; the temperature will be displayed on the at the bottom of the display.
- Press the **▲** and **F** keys together to jump to the first level again , the temperature will be indicated on the bottom of the display.
- In order to read in the '°F' way, refer to the procedure explained in paragraph 10.1 till **Units°C/°F**; the conversion of the new scale will be carried out at once.

NOTE: The calibrator always thermally adjusts with the control probe situated inside the block.

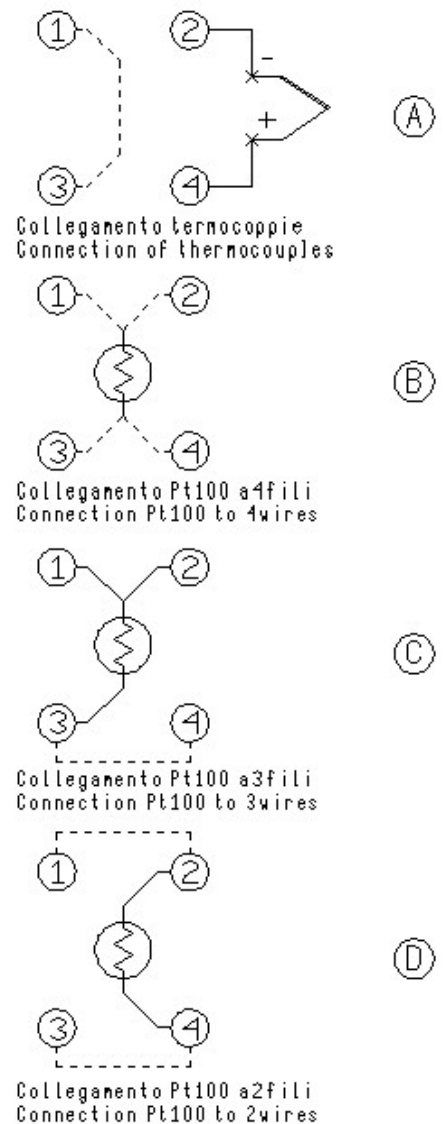


Fig. 6

MESSAGE OF ERROR OF THE EXTERNAL PROBES DISPLAY

The display in the case of connection or configuration errors indicates:

- EST SENSOR FAIL : wrong connection or configuration of the EXT probe
- REF SENSOR FAIL: wrong connection or configuration of the REF probe
- SENSORS FAIL: wrong connection or configuration of the REF and EXT probes

6.4.2 - Switch test

You can test the operating point of the thermostats by the 'SWITCH TEST' function.

- Put the thermostat in the container avoiding touching the bottom. (see the note in paragraph 3).
- Connect the terminals of the thermostat to the socket (4).
- Switch on the calibrator.
- Set the test temperature upper to the operating temperature of the thermostat: the lamp (7.3) will come on when the thermostat electric contact works.
- The instrument store the switch test value. Follow the instruction and the flow chart on chapter 10.1, up to SW ON - SW OFF to display the stored values.
- Push on together the ▲ & ▼ keys to reset the value of 'SW. ON - SW. OFF'.
- See chapter 10.1 for ramp generation.

6.4.3 - Serial communication RS 232

For PC control use the serial communication RS 232 (5) (references fig.7)

With RS232 you can read and/or change the operative parameters, for example: set point, external probe, slope rate etc..

Reference to communication protocol instruction (chapter 10.2).



The external PC must be conform to the IEC950 standard

NOTE: use the RS 232 cable with the pin 2 and 3 crossed.

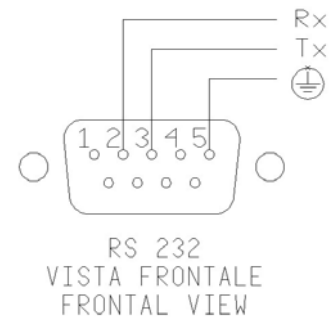


Fig.7

7 - MAINTENANCE INSTRUCTIONS

7.1 - Routine inspections instructions

- Check once a month the level of the liquid inside the container.
- Check once a month the liquid and change it if exhausted.
- Check once a year the calibration date. Frequency of calibration is depending to the use of instrument; however we suggest to calibrate the instrument every year.

8 - SEQUENCE OF MAINTENANCE

1. The level of the liquid is about 30mm under the top edge(ambient temperature): If the liquid level is low fill up the level with the same liquid (ref. to chapter 3)
2. If the liquid is dirty, thick or exhausted at ambient temperature it is advisable to change it. To change the liquid proceed with the emptying, cleaning a filling again:

Emptying of the liquid from the calibrator(ref. to pictures)

To remove completely the liquid from the calibrator reduce the temperature to a value which is close to the ambient temperature; remove the air valve from the closing cap (fig 1) and replace it with the appropriate pipe(fig 2). Screw the cap of the container and overturn the calibrator by making the liquid leak (collect it inside a container having adequate dimensions).

fig1



Cleaning of the grid inside the well:

To take off the grid it is necessary to unscrew the insulating ring nut, remove the spring (fig 3) and then hook the grid with a wire(fig 4).

Under the grid there is the stir bar for mixing the fluid.

Clean the well with a paper towels before mounting and filling again.

fig 2

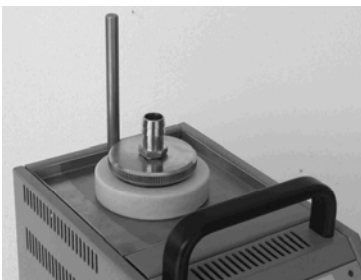


fig 3



fig 4



Filling

Follow the instructions of chapter 3



For the retrieval of the exhausted liquid use petrol tank in plastics.

Don't disperse in the surrounding.

The excesses, the refusals and the containers must be eliminated according to the dispositions of the laws.

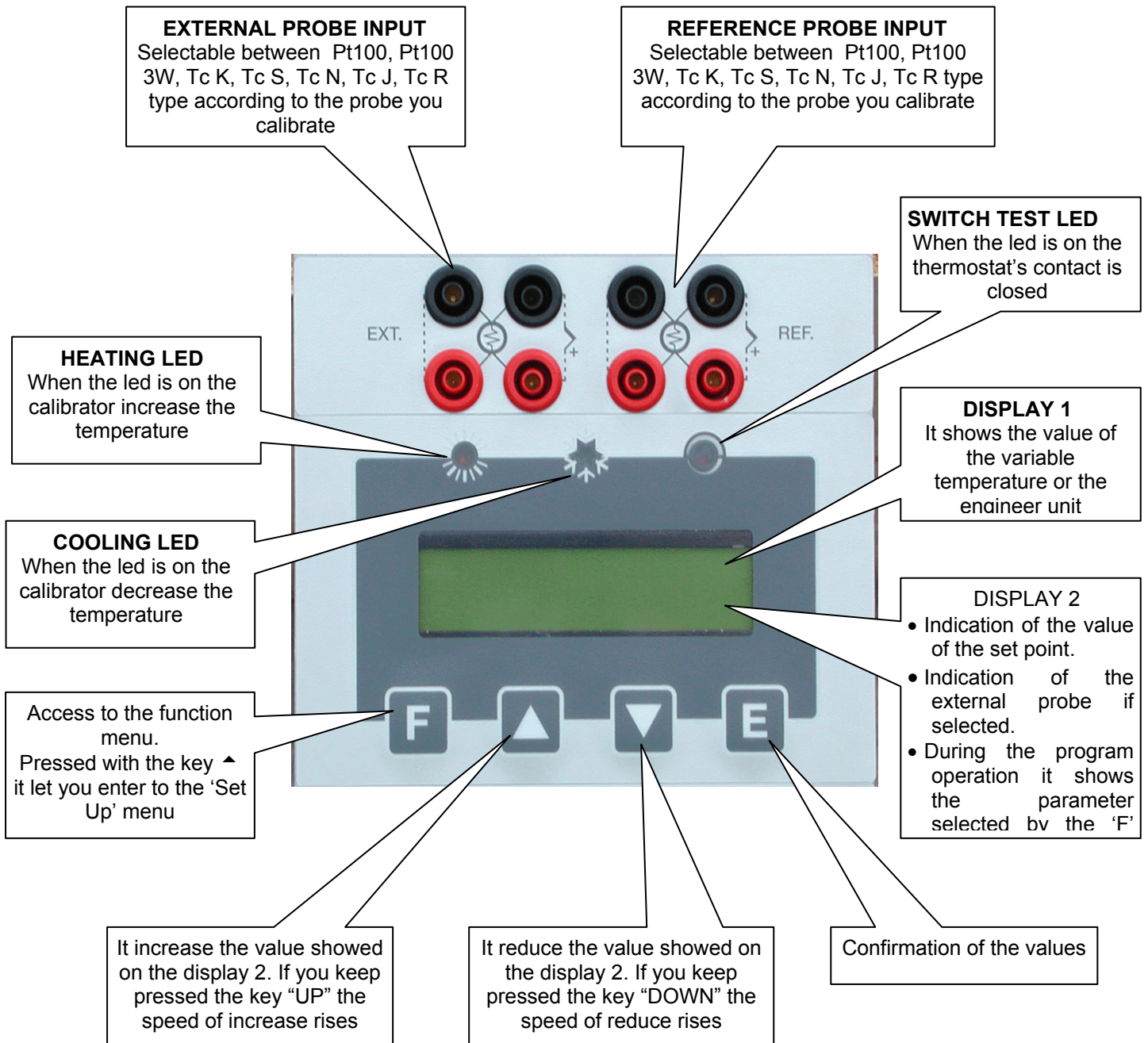
9 - TYPICAL FAULTS

Before carrying out these operations the instrument must be disconnect from the electricity supply and the equaliser block must be at ambient temperature.

N°	FAULT DESCRIPTION	FAULTY COMPONENT OR FUNCTION	METHOD FOR REMOVAL
1	The calibrator does not work when the power cable is connected and the main switch is turned on.	<ul style="list-style-type: none"> - The fuse (3) is cut off. - The power cable is cut off. - The main switch is faulty. 	<ul style="list-style-type: none"> - Replace the fuses. - Replace the power cable with a similar one. - Replace the cup socket (1-3)
2	The fuses (3) are triggered when the power cable is connected and the main switch is turned on.	<ul style="list-style-type: none"> - There is a short circuit in the supply card (12). - The main switch is faulty. - There is a short circuit in the heating element. 	<ul style="list-style-type: none"> - Replace the supply card. - Replace the cup socket. - Contact our technical office
3	The control panel is working properly but the temperature does not increase.	<ul style="list-style-type: none"> - The thermo regulator (7) is not generating a signal. - The supply card (12) is faulty. - The heating element is cut off. - The thermal fuse (10) has been triggered. 	<ul style="list-style-type: none"> - Replace the thermo regulator - Replace the supply card - Contact our technical office.
4	The display show a different temperature from the one measured in the well.	<ul style="list-style-type: none"> - The thermal element (8) is faulty. - The thermoregulator (7) is faulty. 	<ul style="list-style-type: none"> - Replace the thermal element. - Replace the thermoregulator.
5	The liquid is not mixed. Differences of temperature inside the bath.	<ul style="list-style-type: none"> - Magnetic stirring off - Magnetic stir bar dirty - The liquid is exhaust because of too long use at high temperature 	<ul style="list-style-type: none"> - Turn off the calibrator then turn on again and adjust the speed control 6 - Clean the well and the stir bar if dirty, (ref to chapter 7) - Change the liquid
6	The display shows MEMORY FAIL	<ul style="list-style-type: none"> - RAM error caused by electrical noise 	<ul style="list-style-type: none"> -Replace the card (7) and calibrate the Bath
7	The display shows "internal sensor fail"	<ul style="list-style-type: none"> - The internal probe(8) is faulty 	<ul style="list-style-type: none"> Replace the probe (8) and calibrate the Bath
8	The temperature does not stop at the value of the point which has been set.	<ul style="list-style-type: none"> - The supply card (12) is faulty (triac cut off). 	<ul style="list-style-type: none"> - Replace the supply card.
9	The temperature does not decrease to the set value as quickly as it should.	<ul style="list-style-type: none"> - The supply card is faulty. - The cooling fan (19) is faulty. 	<ul style="list-style-type: none"> - Replace the supply card. - Contact our technical office.

10 - APPENDICES

10.1 - Frontal panel description



DESCRIPTION OF THE FUNCTIONS

The calibrator has three function level(see picture 10.2):

at the first level there are the functions for the continuous usage

at the second level there are more specific functions and for the regulation of the calibrator

at the third level there are the typical functions for each calibrator

1st LEVEL FUNCTION

FUNCTIONS TO BE SELECTED BY PRESSING THE **F** KEY AND CONFIRMED BY KEY **E**

- **SP**
SET POINT; temperature set which the oven has to reach following technical specifications
- **SP2**
SET POINT2; temperature set which the oven reaches with the set gradient and the ongoing launched ramp procedure.
- **GRAD**(from 0,1 °C/1')
GRADIENT; set point variation speed during the change from one temperature value to the SP2 value. The set gradient must be negative for descent ramps.
NOTE: gradient values to be set must be lower than the ones stated in the technical data, at point 2.2 (cooling grad. max.: -7°C/min.; heating grad. max. 18°C/min).
- **RAMP ON-OFF**
Ramp procedure enabling/disabling.
Select ON by the ▲ or ▼ key and confirm the choice by pressing the "E" key; the oven will reach the set SP2 temperature with the set gradient, starting from the same temperature as the one with which the ramp has been confirmed. The starting temperature does not depend on the Set Point temperature.
If a negative ramp is set put the gradient is left positive and/or the SP2 is higher than the current temperature, the little over will not accept the ramp start and an alarm will begin running.
When the ramp is on, the display will show the word "**Ramp:.....**" followed by the Set Point value on the second line of the text. The Set Point value will reach the speed related to the set gradient.
When the block temperature reaches the SP2 set temperature, the oven will produce an alarm and the ramp procedure will be automatically set off; the SP2 value will be considered as the new set point value and the oven will be steadily set at that temperature.
During the ramp process, the derivative parameter will not be considered.

RAMP PROCEDURE EFFECTIVE EXAMPLE

Let's say that the set temperature is the ambient one and that it is necessary to reach 400°C with a gradient of 2°C/min.

- Press the **F** key and set **SP2** to 400°C using the ▲ or ▼ keys. Press the **E** key to confirm the choice.
- Press the **F** key and set **GRAD** to 2°C/min using the ▲ or ▼ keys. Press the **E** key to confirm the choice.
- Press the **F** key and set **RAMP** to **ON** using the ▲ or ▼ keys. Press the **E** key to confirm the choice.
After pressing the E key to confirm the ramp start, the oven will ascend with the set slope. Of course, there will be some oscillations at the beginning since the ramp slope will not be suitable but they will stop in a short time and then the oven temperature will follow the ramp's set point one.

- **RIS. 0.1/0.01**
Display reading resolution; the values admitted are **0.1°C** and **0.01°C** and they can be selected by the **▲** or **▼** keys.
- **SW. ON**
Switch on; it displays the temperature at which the thermostat's contact tied to the "SWITCH TEST" bushes is closed.
- **SW. OFF**
Switch off; it displays the temperature at which the thermostat's contact tied to the "SWITCH TEST" bushes is open. The value is reset each time the power supply fails or by pressing the two "**▲ ▼**" keys at the same time. The value is updated every time that the contact closing is detected.
- **SENSOR (OFF/EXT/REF/EXT+REF) (only for model –2I)**
This parameter allows enabling the reading of sensors on the auxiliary inputs:
OFF no input is enable to read the sensors' value.
EXT the four bushes of the input EXT are enabled to read the sensor tied to them, whose value is indicated at the bottom of the Display.
REF the four bushes of the input REF are enabled to read the sensor tied to them, whose value is indicated at the bottom of the Display. (not allowed on the BK40M)
EXT+REF the eight bushes of the two inputs are enabled to read the sensors tied to them, whose value is indicated at the bottom of the Display. (not allowed on the BK40M)

2nd LEVEL FUNCTIONS

FUNCTIONS THAT CAN BE SELECTED BY PRESSING THE "F AND **▲**" KEYS AT THE SAME TIME. ONCE THE SECOND LEVEL OF PARAMETER IS ENTERED, THESE FUNCTION CAN BE SELECTED ONLY BY PRESSING THE "F" KEY; IN ORDER TO COME BACK TO THE FIRST LEVEL, PRESS THE "F AND **▲**" KEYS AT THE SAME TIME OR WAIT FOR ABOUT 20 SECONDS.

- **P.B.**
Value of the Proportional Band expressed in percentage of the value of the end of the scale. Proportional band means per cent of range within which there is the variation of the modulation of the heating element power.
- **T.I.**
Integral Time value expressed in seconds. The integrating action cancel the error between the chosen set point and the temperature reached only by the proportional action. Integral time means the length of time necessary to the integrative action to double up the proportional action
- **T.D.**
Derivative Time expressed in seconds. When there is a step variation of temperatures, the derivative action induces an greater initial adjustment, so that the oven will have a greater power than it usual has due to the proportional and integral action only. Since the error keeps existing, the derivative action reduces the impact giving the integrative action the task of reducing the error.

- **EXT SENSOR TYPE: N, K, J, R, S, Pt3W, Pt.** (Pt=Pt100 with 4 wires, Pt3W=Pt100 with 3 wires)
This parameter allows selecting the kind of sensor read by the display and connected to the four EXT terminals.(item 6.4.1)
- **Units °C/°F**
This parameter allows selecting the temperature measuring unit. By selecting "°C" all temperatures will be expressed in Celsius degrees; by selecting "°F" all temperatures will be expressed in Fahrenheit degrees
- **Def. Par. ON/OFF**
Default Parameter; this function allows choosing to set the thermoregulator with the P.B., T.I., T.D. parameters either as a default or as a customisable adjustment. By selecting the "OFF" parameter and confirming by the "E" key it is possible to modify the adjustment parameters, which will keep operational even if the calibrator is turned off. By selecting the "ON" key (followed by the confirmation by pressing the "E" key) the default parameters will be turned on again.
- **REF SENSOR TYPE: N, K, J, R, S, Pt3W, Pt.**(Pt=Pt100 with 4 wires, Pt3W=Pt100 with 3 wires)
- **KEY**
This is the key for the third programming level. By the ▲ or ▼ keys it is possible to set the number recorded in the "ACCESS KEY" parameters at the second level, and by pressing the "F" and ▲ keys at the same time (*it is not necessary to confirm the choice by pressing the E key*), it is possible to enter to the third level parameters related to serial transmission and instrument configuration. The acceptable values are from 1 to 99; **the default value set by the manufacturer is 2.**

3rd LEVEL FUNCTIONS

FUNCTIONS THAT CAN BE SELECTED BY PRESSING THE "F AND ▲" KEYS AT THE SAME TIME WHEN THE **KEY** PARAMETER IS REACHED AT THE SECOND LEVEL AND WHEN THE SET VALUE CORRESPONDS TO THE RECORDED ONE. ONCE THE THIRD LEVEL OF PARAMETER IS ENTERED, THESE FUNCTION CAN BE SELECTED ONLY BY PRESSING THE "F" KEY; IN ORDER TO COME BACK TO THE FIRST LEVEL, PRESS THE "F AND ▲" KEYS AT THE SAME TIME OR WAIT FOR ABOUT 20 SECONDS.

- **ACCESS KEY**
Access key; numerical value from 1 to 99 that enables passing to the third parameter level. **The default value is 2**
- **BAUD RATE**
Data transmission speed from the computer. Values are from 300 to 19200 (**default value is 9600**).

- ADDRESS

Communication address. The value of this parameter is necessary to communicate from the computer to many instruments. The admitted values are from 1 to 32 and once the value is set by using the ▲ or ▼ keys it is necessary to confirm the choice by the E key

- S/N

Equipment serial number. It is set by the manufacturer and cannot be changed by the user

- MAX. SET.

Maximum value to be set by the Set Point. It is set by the manufacturer and cannot be changed by the user.

- MIN. SET.

Minimum value to be set by the Set Point. It is set by the manufacturer and cannot be changed by the user.

- WAIT 0/1

initial waiting procedure. If the value "0" is set, when it is started up and after having carried out the general check procedure, the calibrator immediately run to the last set point value chosen after turning off when it is started up and after having carried out the general check procedure. If the value "1" is set, when it is started up and after having carried out the general check procedure, the calibrator goes on the waiting position and makes the second reader line flash. It is necessary to press any key in order to move it from the waiting position and to choose the desired parameter or value.

- REV. SOFTWARE

Internal software's release number.

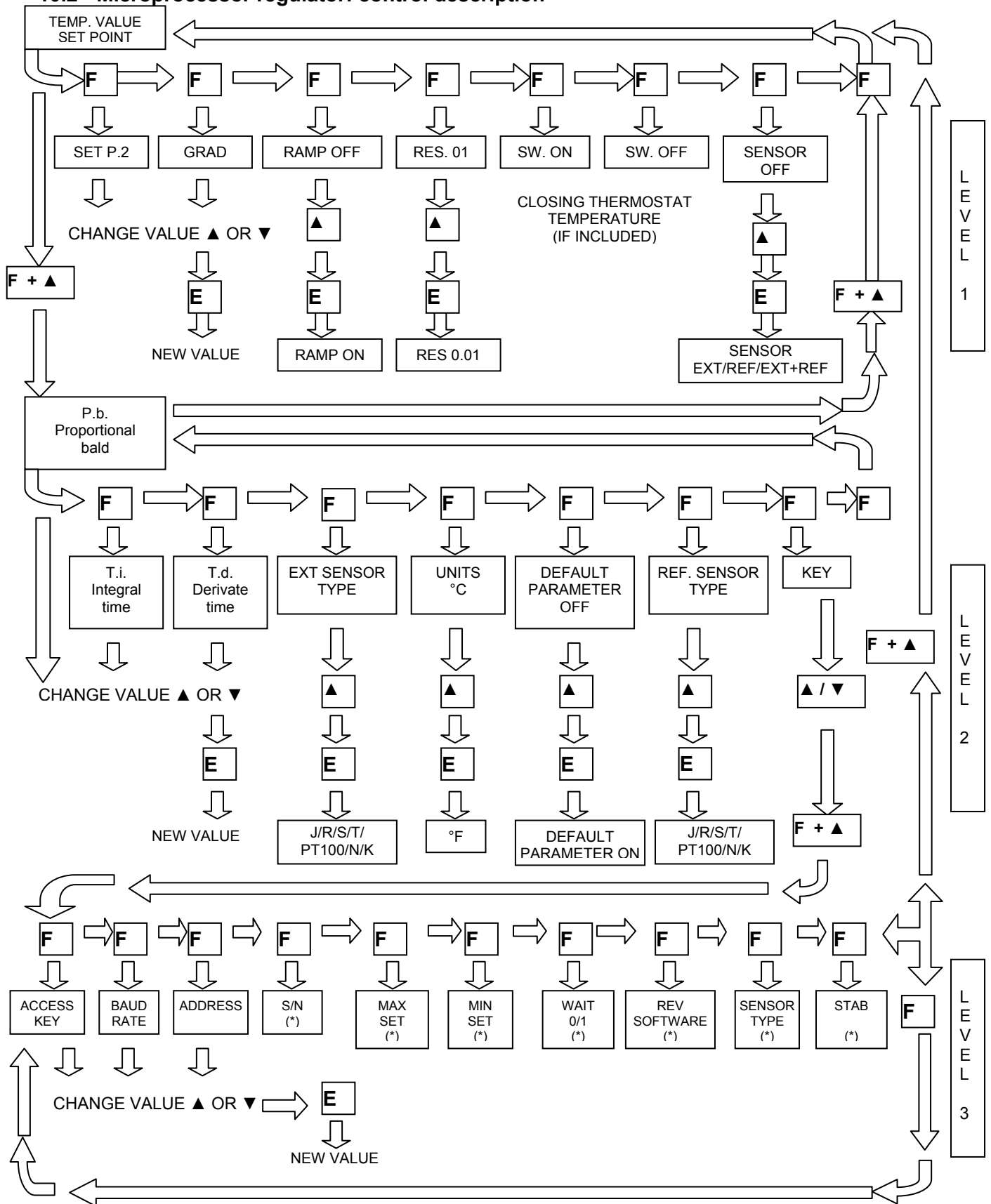
- SENSOR TYPE

It indicates the type of the main sensor designed to adjust the temperature.

- STAB:

It indicates the swinging value of the temperature, which has been set to see on the Display the symbol of the oven ÷ steadiness. The symbol light on when the temperature is stable for over 6 minutes.

10.2 - Microprocessor regulator: control description



(*) DEFAULTS VALUES, SET BY THE MANUFACTURER

Note: after 20 seconds the set point value is showed at the bottom line of the display

10.3 - Communication Protocol Rs232/C

General characteristics:

Baud Rate: 9600 Parity: No
 N. Bit: 8 Bit of stop: 1

The communication runs in half duplex way witch means that is transmission and reception could not be contemporaneously present.

The regulator replies only after receiving command; it never replies itself.

The command and reply are ASCII character string, as detailed forward. The communication program will be able to convert ASCII to decimal to extract numeric values. The default address is 1.

Baud rate: 2400, 4800, 9600 e 19200 baud, the Default value is 9600; the other parameters are standard.

VARIABLES AVAILABLE IN READING	
0	Set point
1	Ramp ON/OFF
2	Set point 2
3	Gradient
4	Resolution
5	Prop. Band
6	Integral time
7	Derivative time
8*	Sensor input selection
9	Title
10***	Units (°C/°F)
13	Access key
14	Baud rate
15	Address
16	Serial number
18	Mx. set point
19	Min. set point
21	Wait ON/OFF
22	Switch on temperature
23	Switch off temperature
24	Version
25**	Ext. Sensor type
26**	Ref. Sensor type
28	Stability range
29	Symbol of steadiness
100	Temperature
105	Ext. temperature
106	Ref. temperature

VARIABLES AVAILABLE IN WRITING	
0	Set point
1	Ramp ON/OFF
2	Set point 2
3	Gradient
4	Resolution
5	Prop. band
6	Integral time
7	Derivative time
8*	Sensor input selection
9	Title
10***	Units (°C/°F)
13	Access key
15	Address
25**	Ext. Sensor type
26**	Ref. Sensor. type

8* Sensor input selection	
1	Correspond to the INTERNAL probe
2	Correspond to the INTERNA+EXT probe
3	Correspond to the INTERNA+REF probe
4	Correspond to the INTERNA+EXT +REF probe

25/26** Ext. Sensor type/ Ref. Sensor type	
0	Correspond to the Pt 100 4 wires
1	Correspond to the N thermocouple
2	Correspond to the K thermocouple
3	Correspond to the J thermocouple
4	Correspond to the R thermocouple
5	Correspond to the S thermocouple
6	Correspond to the Pt100 3 wires

10***Units (°C/°F)	
0	Correspond to the °C
1	Correspond to the °F

Each commands string are ASCII character succession.

First is \$ character; the next must indicate the instrument address (default 1) and than is the command (4 characters).

Possibility:

RVAR (data reading)
WVAR (data writing)

The ultimate part of string is depending of a type command. The character (cr) concludes the sequence

DATA READING:

Example 1) reading of the Set Point (0 variable):
the command string is: **\$1RVAR0_<cr>**

Each characters means:

\$	beginning of message
1	instrument address
RVAR	reading command
0	number of the variable to read (see the table of the "VARIABLES" on the previous page)
_	space
<cr>	end of message

the response string is: ***1_110,0** (110,0 is only for example)
The character <cr> concludes the message.

Command to read the temperature of an external probe (index 25):

Example 2) reading of the EXT sensor (105 variable):

the command string is: **\$1RVAR105_<cr>**
the response string is: ***1_123,4** (123,4 is only for example)
The character <cr> concludes the message.

The response does not include the measure unity, to read the unity read the variable 10:

the command string is: **\$1RVAR10_<cr>**
the response string is: ***1_0** for °C
the response string is: ***1_1** for °F

DATA WRITING:**FLOAT VARIABLES**

For writing you use the command WVAR.

Examples 1) writing of the Set point to 132,5°C

If the unity of measure of the temperature is already °C it is enough to write the SET POINT (see the table of the "VARIABLES" on the previous pages).

the command string is: **\$1WVAR0_132,4<cr>**

Each characters means:

\$	beginning of message
1	instrument address
WVAR	writing command
0	number of the variable to read (see the table of the "VARIABLES" on the previous pages)
_	space
132,4	numerical value of a data with the character . to separate the decimal part of the number
<cr>	end of message

At reception of the command, the answer of the instrument is:

*1<cr>

This string shows the recognition of the command.

If the unity of measure of the temperature is not °C You should write first the variable 10 UNITS to 0(see the table of the "VARIABLES" on the previous pages).

INTEGER VARIABLES

We have just shown the procedure for the writing of a float data.

The variables 1, 4, 8, 10, 25, 26 have two or more states (for example, the resolution by tenth or hundredth of °C) and to activate them it is necessary to assign to the variable number the number corresponding to that one which should be set, according to the table indicated below:

1	Ramp	ON = 1	OFF = 0			
4	Resolution	0.1°C = 0	0.01°C = 1			
8	Sensor input selection	INT = 1	INT+EXT = 2	INT+REF = 3	INT+EXT+REF = 4	
10	Units	°C = 0	°F = 1			
25	Ext. Sensor type	0 = Pt 100	1 = Tc N	2 = Tc K	3 = Tc J	4 = Tc R
		5 = Tc S	6 = Pt 100 3 wires			
26	Ref. Sensor type	as for the variable 25				

Example 1: the variable 1 corresponds to the activation of the ramp. If you want to set it to ON in order to activate the ramp, you should assign the value 0, otherwise the value 1.

the command string is: **\$1WVAR1_0<cr>**

Example 2: the variable 8 corresponds to the activation of the sensor reading which can be connected to the bushes of the external inputs. If you want to read the thermocouple K connected to the Ref. input, you should set the variable 26 to the number corresponding to the type of sensor which you want to read (2 for the thermocouple K) and then set the variable 8 to 3.

the command strings are: **\$1WVAR26_2<cr>** **\$1WVAR8_3<cr>**

Do likewise for the other variables.

10.4 - Standard equipment spare parts list**FLUID200-XXX-X**(Reference number referring to the enclosed drawings).

POS.	DESCRIPTION	SPARE PARTS CODE
1-3	MAIN SOCKET	3SCH28366
3	2,5A PROTECTION FUSE (for 230V model) 3.15A PROTECTION FUSE (for 115V model)	3OMGSF520225 3OMGSF520231
4	SWITCH TEST PLUG-IN	3B&BPAN10A
5	RS 232	4MRCRS232
6	MOTOR SPEED CONTROL + ø14 HANDLE	3RSC410362 + 2RSC499977
7	MICROPROCESSOR + DISPLAY	4ED20048
8	PT100	3D2124
9	MIXER MOTOR	3PPSVD12708
10	THERMAL FUSE – (for model FLUID-200 max. 200°C) THERMAL FUSE – (for model FLUID-200-H max 220°C)	3LWMDF216S 3LWMDF240S
11	SAFETY CAP	2D1715
12	POWER SUPPLY CARD	4ITC02099DS
13	HEATER RESISTENCE – (for model 230V / 200W) HEATER RESISTENCE – (for model 115V / 200W)	2RCACZAS162D 2RCACZAS162D2
14	SAFETY VALVE	2ELSSFV1038
15	AUXILIARY INPUT CARD	4ED20011
16	MAGNETIC STIR BAS	2FLC601012545
18	ELECTRIC POWER CABLE	3NEP5942AW
19	FAN 230V 50/60Hz	3PPS-9956L

10.5 - Declaration of conformity and check report

The declaration of conformity CE is at the end of the English manual, the test report is included with the calibrator

10.6 - Drawing and wiring diagram

The drawings are at the end of this manual included with the calibrator

"Declaration of conformity"

DRUCK & TEMPERATUR Leitenberger GmbH, Bahnhofstr. 33, 72138 Kirchentellinsfurt, Germany

Declares that the: **THERMOSTATIC CALIBRATOR FLUID 200 and FLUID 200-H**

is conforms with the requirements of the following European directive:

- Low voltage directive 73/23/EEC amended by 93/68/EEC
- EMC directive 89/336/EEC

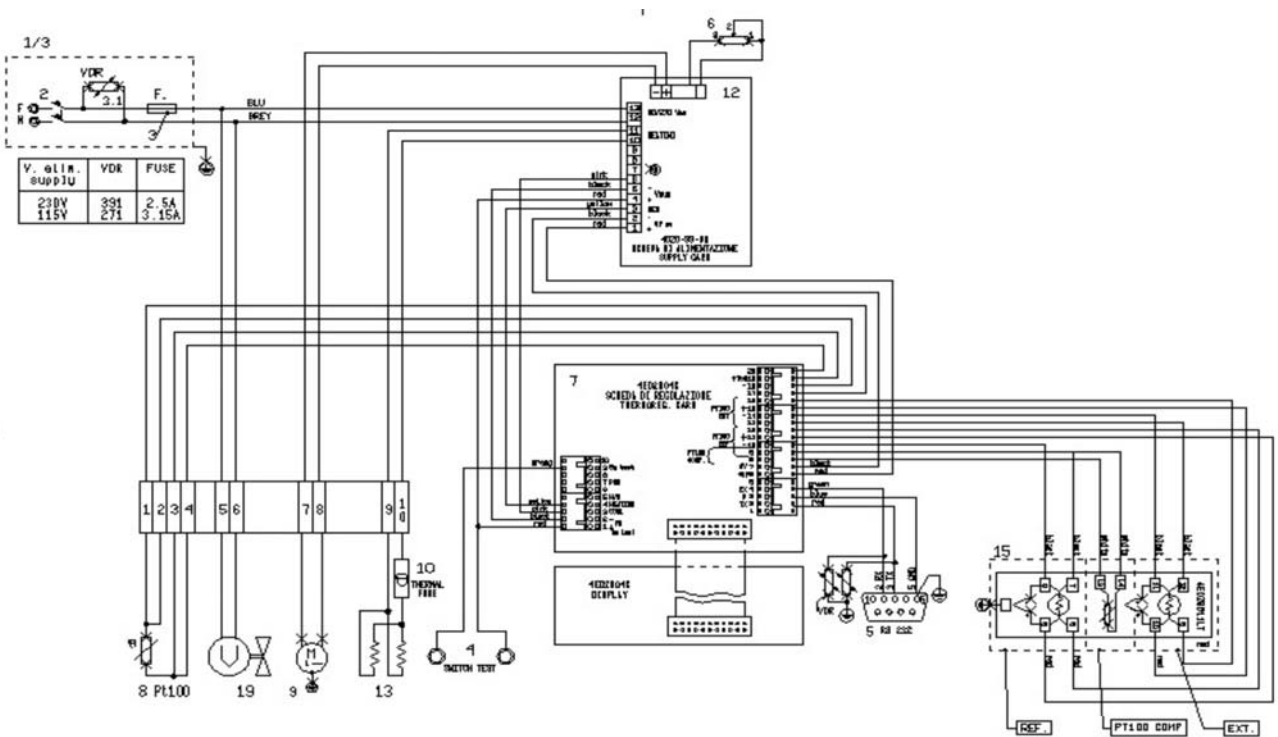
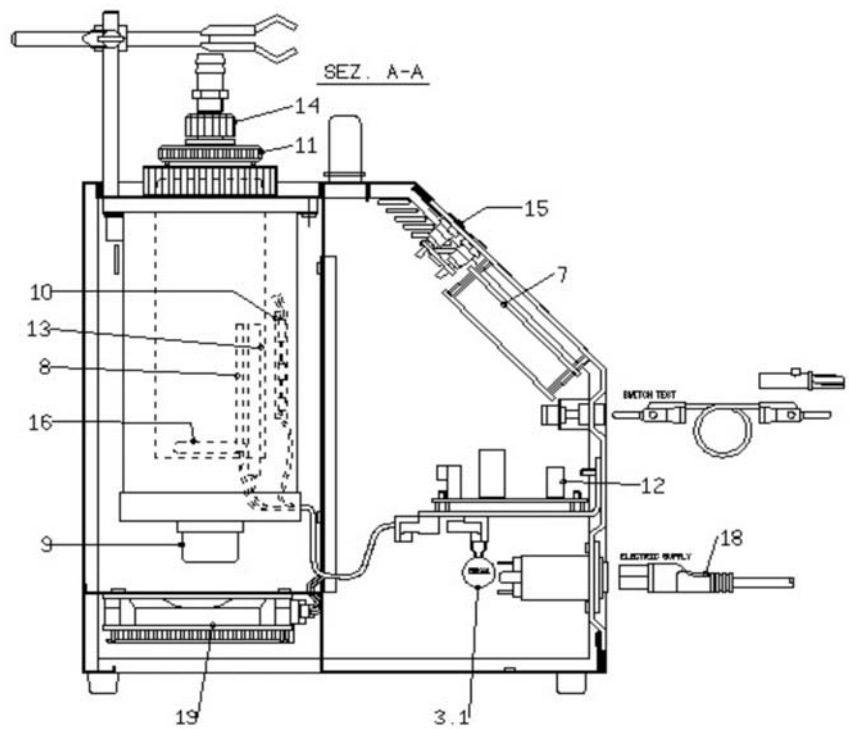
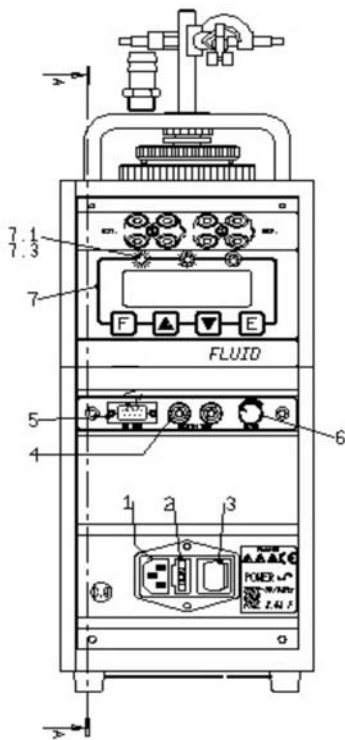
and that it has been designed in accordance with the following harmonised regulation:

- EN 50081-1 emission.
- EN 50082-1 immunity.
- EN 6101-1 safety requirements for electrical equipment

The conformity with the above-mentioned requirements is certified by affixing the CE Mark on the product.

DRUCK & TEMPERATUR
Leitenberger GmbH
26. July 2007





OPTION: EXTENSION TUBE FOR FLUID 200Order-Code: **FLUID200-ER****Characteristics:**

The extension tube is suitable to increase the depth of the liquid tank.

Technical data:

Useful diameter = 60mm

Useful depth = 230mm

Mx temperature 180°C

Suitable liquids: silicon oil or water

LIQUID	silicon oil 47V20
Range***	90/200°C
horizontal uniformity *	±0,2°C
vertical uniformity **	±0,10°C

* measured at 50 mm from the bottom

** over the depth of 150mm from the bottom

***with t. ambient at 20°C

**** below 0°C



Notes: set the probes in the centre of the tank to have the best stability and uniformity, do not set the probes near the edge of the tank because of poor mixing of the liquid .

A good position to place the probes is 1,5 cm far from the edge and 3 cm from the bottom of the tank.

INSTRUCTIONS FOR THE FLUID 200

1. Unscrew the green ring nut and screw strongly the aluminum tube, be sure that the O-ring should be compressed
2. set the stainless steel external tube
3. Screw the green ring nut again
4. fill the liquid up to 5cm from the edge of the green ring nut in order to reach the Mx. of 180°, verify the leakages of liquid from the tube. In case of leakage screw on again the tube.
5. At the end of the calibration set up the ambient temperature value before emptying the liquid.

Spare parts: OR 164Viton

OPTION: Conversion Kit for FLUID 200 DRY BLOCK (Aluminium)



- Range: ambient temperature to +160°C
- Diameter: 60mm
- High: 170mm
- Cooling time from 20 up to -10°C=47'
- Heating time from -10 up to 110°C 45'
- Stability: ±0,04
- Radial uniformity at 0°C: ± 0,03
- Radial uniformity at 80°C: ±0,06

The insert is suitable for large size probes.

INSTRUCTION FOR REMOVING THE MIXER AND SET UP THE INSERT

Reduce the temperature to a value which is close to the ambient temperature to empty, remove (fig 1) the air valve from the closing cap and replace it with the appropriate pipe(fig 2). Screw the cap of the container and overturn the calibrator by making the liquid leak (collect it inside a container having adequate dimensions).

Unscrew the insulating ring nut, remove the spring (fig 3) and then hook the grid with a wire(fig 4). Under the grid there is the stir bar for mixing the fluid. Remove the stir bar and clean the well with a paper towels before setting the insert in.



fig 1

fig 2

fig 3
fig 4

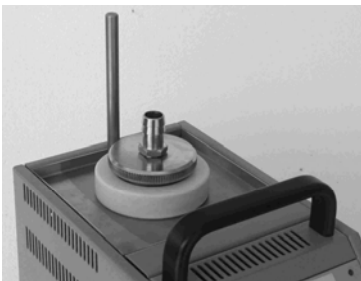


fig 5

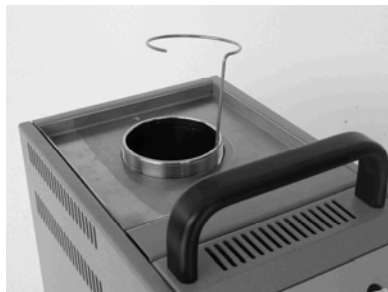


fig 6



Order-Code for Dry Block insert with 9 holes: **FLUID-INS-9**
(4.0 mm – 4.0 mm – 4.5 mm – 5.5 mm – 6.5 mm – 6.5 mm – 8.5 mm – 10.5 mm – 12.5 mm)

Order-Code for Dry Block insert without holes: **FLUID-INS-0**

NOTES:

NOTES:

www.druck-temperatur.de

www.LR-Cal.de

www.leitenberger.de