



BIMETALLIC-POINTER-TYPE-THERMOMETER

Industrial version, co-axial
accuracy class 1.6 and 1.0



case: steel galvanised / varnished
 – st. st. 1.4301
 – bayonet-st. st. IP 54 (diam. 63-160)
 (also with liquid filling)

bezel: steel nickel-plated
 – brass chromed (diam. 63-160)
 – st. st. 1.4301

dial: aluminium, white varnished
 figures and graduation black
 – red mark
 – imprint
 – double scale °C/°F

pointer: aluminium, black
 adjustable at end of stem
 – silicon damped

window: instrument glass
 – safety glass (diam. 63-160)
 – max. drag-pointer (diam. 63-160)
 – max./min. drag-pointer (diam. 63-160)
 – red pointer (diam. 63-160)

washer: inside
 to 120°C moss rubber - since 160°C aluminium
 diam. 160 only aluminium

measuring stem: G1/2B brass detachable
 with fixing screw
 L = 28 / 45 / 50 / 63mm one part SW 21
 since 80mm multiple part hard soldered tube 12x1 SW 22
 – further connections see next page or BI 001

connection: back, co-axial

measuring range: 0-120°C
 – or see right side

accuracy: class 1.6
 – class 1.0
 here changes the art.-no.
 from 2xxx to 3xxx !
 – works certificate
 – OPTIONS

	diam.	34	50	63	80	100	160
stem	28 mm	2030	2050	2060	2080	2100	2160
stem	45 mm	2031	2051	2061	2081	2101	2161
stem	50 mm	2032	2052	2062	2082	2102	2162
stem	63 mm	2033	2053	2063	2083	2103	2163
stem	80 mm	2034	2054	2064	2084	2104	2164
stem	100mm	2035	2055	2065	2085	2105	2165
stem	120mm	2036	2056	2066	2086	2106	2166
stem	160mm	2037	2057	2067	2087	2107	2167
stem	200mm	2038	2058	2068	2088	2108	2168
stem	250mm	2039	2059	2069	2089	2109	2169

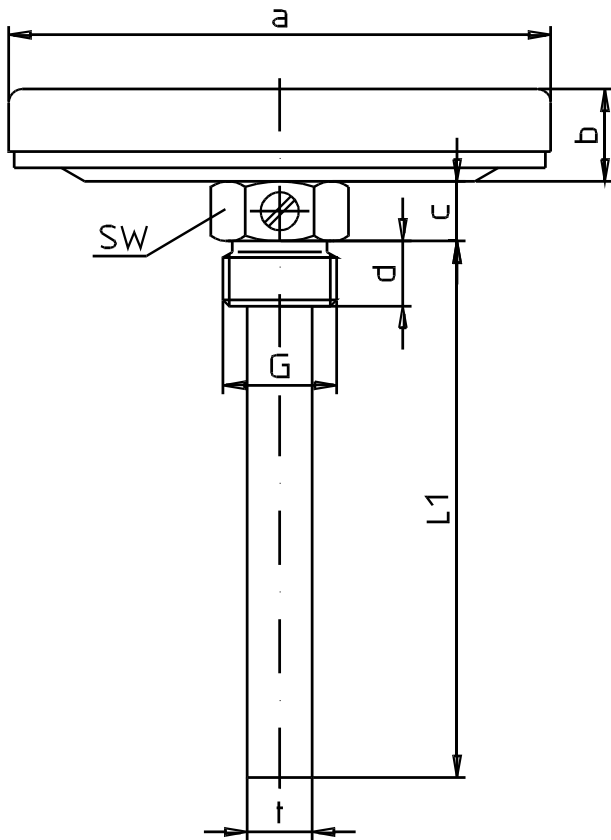
ranges	graduation
-40+40°C -30+50°C -20+60°C -20+40°C -15+45°C -10+60°C -10+50°C 0+40°C 0+50°C 0+60°C 0+80°C	1,0
0+100°C 0+120°C 0+160°C 0+200°C	2,0
0+250°C 0+300°C	5,0
0+400°C 0+500°C* 0+600°C*	10,0

other lengths are deliverable!
 stem 28mm only 0-120°C deliverable!
 stem 45mm shortest range = 60°C!

*(stem st. st. needed!)



BIMETALLIC-POINTER-TYPE-THERMOMETER
 Industrial version, co-axial
 accuracy class 1.6 and 1.0



type	a	b	c	d	SW	G	t
2030	34	9	10,5	12,5	21/22	G1/2B	12
2050	50	12	10,5	12,5	21/22	G1/2B	12
2060	63	13	10,5	12,5	21/22	G1/2B	12
2080	80	13	10,5	12,5	21/22	G1/2B	12
2100	100	17	10,5	12,5	21/22	G1/2B	12
2160	160	21	10,5	12,5	21/22	G1/2B	12

0	1	2	3	4	5	6
separate pocket with fixing screw	fixed connection (male)	throwing nut (female)	throwing nut with double nipple	throwing nut with pocket acc. to DIN 16 179 CD	turnable connection (male)	movable clamp connection

DRUCK & TEMPERATUR Leitenberger GmbH
 Bahnhofstr. 33 • D-72138 Kirchentellinsfurt • Germany
 Tel.: +49-7121 - 9 09 20 - 0 • Fax: +49-7121 - 9 09 20 - 99
 E-Mail: DT-Export@Leitenberger.de • <http://www.Leitenberger.com>

Technische Änderungen vorbehalten. Freibleibend • All technical modifications reserved. Without engagement

Dimensions and technical data according to technical standard of today. Changes which make our products better will be made without proclaiming.