

Pressure Transmitter flush diaphragm ST MA

Type: 08.SMA

- 4 - Wetted parts: AISI 316 st.st.
- 4 - Process fluid temperature: up to +150°C.
- 4 - EMC immunity: as per EN 61000.
- 4 - Wiring: shieldless cable.
- 4 - Case: with ventilation device IP 65.
- 4 - Calibration: adjustable.



Functional characteristics

Ranges: 0...1,6/0...600 bar, relative.
 Accuracy (% F.S.V.): - 0,5 max.
 Calibration: limit-point, as per DIN 16086.
 Repeatability: - 0,15 % F.S.V.
 Annual drift: - 0,2 % F.S.V.
 Process fluid temperature: -20...+100 °C
 (-20...150 °C with heat dissipator code TA3).
 Ambient temperature: -20...+85 °C.
 Storage temperature: -20...+100 °C.

Constructive characteristics


Diaphragm: AISI 316L st.st., T.I.G. welded.
 Process connection: AISI 316 st.st.
 Gasket: VITON.
 Filling oil: silicone oil.
 Sensor: ceramic cell.
 Case: AISI 304 st.st., vented IP 65 for pressure ranges - 16 bar.
 Electric connection: junction box as per DIN 43650 with exit for cables \varnothing 6...9; or cable with option code U68.
 Protection: IP 65 as per IEC 529;
 IP 68 as per IEC 529 with cable exit, option code U68.

Electrical characteristics

Output signals: 4...20 mA, 0...5 Vdc, 0...10 Vdc.
 Supply and max load: see on page 2.
 Zero calibration: \pm 10 % F.S.V. typical.
 Range calibration: \pm 10 % F.S.V. typical.
 Compensated temperature range: -20...+85 °C.

| Ranges bar, relative (1) | Thermal drift % F.S.V. / °C (3) | Overpressure bar, relative |
|-----------------------------|------------------------------------|-------------------------------|
| 0...1,6/0...2,5 (2) | 0,06 | 5 |
| 0...4 (2) | 0,04 | 10 |
| 0...6 (2) | 0,03 | 20 |
| 0...10 | 0,03 | 20 |
| 0...16 | 0,02 | 40 |
| 0...25/0...40 | 0,02 | 100 |
| 0...60/0...100 | 0,02 | 200 |
| 0...160/0...250 | 0,02 | 500 |
| 0...400 | 0,02 | 600 |
| 0...600 | 0,02 | 800 |

- (1) Unit of measurement: as requested by customer.
 (2) Ranges available with 3/4" connection only.
 (3) Thermal drift on connection 3/4".

 Compliance to requirements of
 EMC directives : 89/336/EEC - 93/68/EEC.

EMISSION standards references

EN 50081-1 (1992) "Generic emission standard"
 EN 55022 (1993) "Emission, class B"

IMMUNITY standards references

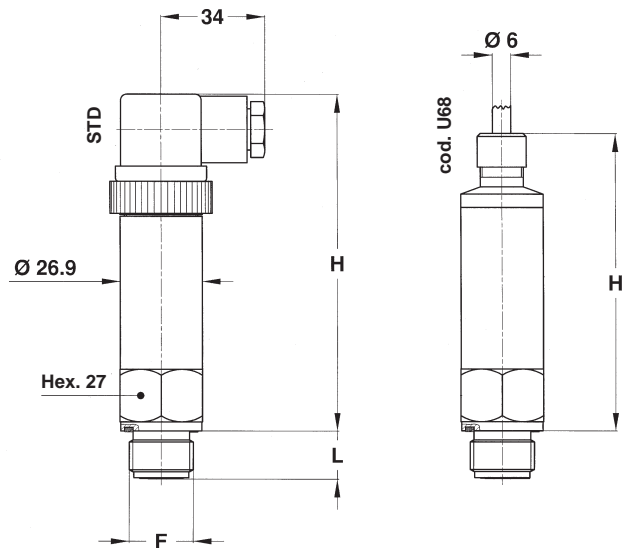
EN 61000-6-2 (1999) "Industrial env. immunity standard"
 EN 61000-4-2 (1995) "Electrostatic discharge"
 EN 61000-4-3 (1995) "Radiated radio-frequency, electromagnetic fields"
 EN 61000-4-4 (1995) "Electrical fast transient/burst"
 EN 61000-4-5 (1995) "Surge"
 EN 61000-4-6 (1996) "Conducted radio-frequency fields"

pressure transmitter
flush diaphragm ST MA,

Typ: 08.SMA

REV. 0 E 10/00

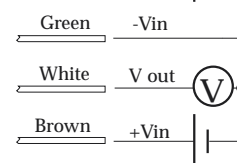
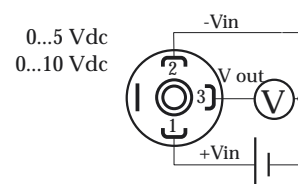
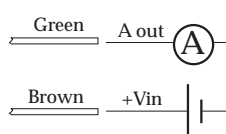
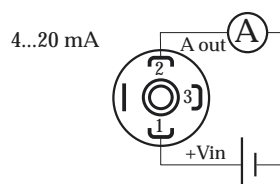
WEIGHTS AND DIMENSIONS (mm.)



| quote H | STD | U68 | F | L | Weight |
|------------|-----|-----|------------|------|---------|
| Pt. 100 °C | 111 | 98 | 1/2" BSP M | 16 | 0,26 Kg |
| Pt. 150 °C | 127 | 114 | 3/4" BSP M | 16,5 | 0,28 Kg |

WIRING

| Ouput signals | 4...20 mA | 0...5 VDC | 0...10 VDC |
|---------------|-------------------------------------|-------------------|--------------------|
| N. wires | 2 | 3 | 3 |
| Load (Ohm) | $R_L - (V_{in}-10)/0,02$ | 5 K Ω min. | 10 K Ω min. |
| Supply: +Vin | 10...30 | 8...28 | 14...28 |
| Ground | (pls. refer to Installation Manual) | | |



HOW TO ORDER

| | DESCRIPTION & CODE |
|-----------------|--|
| 08 | 08 - electronic instruments |
| SMA | SMA - pressure transmitter ST MA, with ceramic sensor, AISI 316 st.st. flush diaphragm |
| 000 | |
| C | |
| 0/10 bar | See ranges table |
| 51M | Process connection 41M - 1/2" BSP M, for pressure ranges • 10 bar 51M - 3/4" BSP M |
| 10E | 10E - 4...20 mA; +Vin:10...30 Vdc 40F - 0...5 Vdc; +Vin: 8...28 Vdc 50D - 0...10 Vdc; +Vin:14...28 Vdc |
| TA3 | See options table |

OPTIONS

CODE

| | |
|---|-----|
| Calibration certificate | C01 |
| Process fluid temperature up to +150°C | TA3 |
| Electrical connection IP 68 with cable exit (1) (2) | U68 |

- (1) Cable: compensated, poliurethane (option code 08.CPI).
(2) Without zero adjustment.

ACCESSORIES

Digital indicator: The display range is from -1.999 to +1.999, and 2 built-in alarms relay control the local process. Provide also supply to the transmitter. For further details refer to data-sheet 08.P6A.



DRUCK & TEMPERATUR Leitenberger GmbH
Postfach 64 • D-72136 Kirchentellinsfurt • Germany
Tel.: 0 71 21 - 9 09 20 - 0 • Fax: 0 71 21 - 9 09 20 - 99
E-Mail: dt-info@leitenberger.de
INTERNET-Site: http://www.leitenberger.de