

level transmitter

ST LV

08.SLV

- 4 - EMC immunity: as per EN 61000.
- 4 - Oil and silicone free.



Functional characteristics

Ranges: 0...0,4/0...25 bar, relative.
 Accuracy (% F.S.V.): - 0,25 typical; - 0,5 max.
 Calibration: limit-point as per DIN 16086.
 Repeatability: - 0,15 % F.S.V.
 Thermal drift: - 0,02 % F.S.V. / °C.
 (- 0,05 % F.S.V / °C. for pressure ranges < 1 bar).
 Annual drift: - 0,2 % F.S.V.
 Working temperature: -25...+85 °C.
 Storage temperature: -25...+100 °C.

Constructive characteristics

Case: AISI 304 st.st.
 Sensor: ceramic cell.
 Gasket: VITON.
 Electric connection: poliurethane cable, compensated.
 Protection: submersible.

Electrical characteristics

Output signals: 4...20 mA, 0...5 Vdc, 0...10 Vdc.
 Supply and max load: see page 2.
 Compensated temperature range: -25...+85 °C.

Ranges bar, relative (1)	Overpressure bar, relative	Burst pressure bar, relative
0...0,4/0...0,6	2	3
0...1/0...2,5	5	7
0...4	10	12
0...6/0...10	20	25
0...16	40	50
0...25	100	120

(1) Unit of measurement: as requested by customer.

CE Compliance to requirements of
 EMC directives : 89/336/EEC - 93/68/EEC.

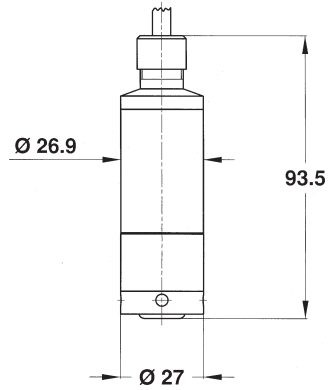
EMISSION standards references

EN 50081-1 (1992)	"Generic emission standard"
EN 55022 (1993)	"Emission, class B"

IMMUNITY standards references

EN 61000-6-2 (1999)	"Industrial env. immunity standard"
EN 61000-4-2 (1995)	"Electrostatic discharge"
EN 61000-4-3 (1995)	"Radiated radio-frequency, electromagnetic fields"
EN 61000-4-4 (1995)	"Electrical fast transient/burst"
EN 61000-4-5 (1995)	"Surge"
EN 61000-4-6 (1996)	"Conducted radio-frequency fields"

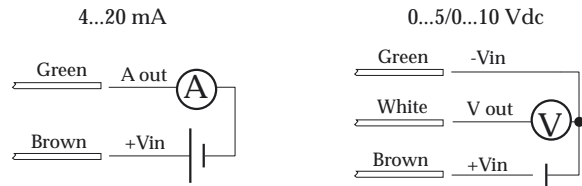
DIMENSIONS (mm.)



Weigth : kg. 0,26

WIRING

Output signal	4...20 mA	0...5 VDC	0...10 VDC
N. wires	2	3	3
Load (Ohm)	$R_L - (V_{in}-10)/0,02$	5 K Ω min.	10 K Ω min.
Supply: +Vin	10...30	8...28	14...28
Ground	(pls. refer to Installation Manual)		



ACCESSORIES

Digital indicator: The display range is from -1.999 to +1.999, and 2 built-in alarms relay control the local process. Provide also supply to the transmitter. For further details refer to data-sheet 211 / 220.

DESCRIPTION & CODE	
08	08 - electronic instruments
SLV	SLV - level transmitter, ceramic sensor ST LV
000	
C	
0...1 bar	See ranges tables
000	
10E	10E - 4...20 mA; +Vin:10...30 Vdc 40F - 0...5 Vdc; +Vin: 8...28 Vdc 50D - 0...10 Vdc; +Vin:14...28 Vdc
B01	Option B01 - AISI 316 st.st. case
+	
08	08 - electronic instruments
CPI	CPI - poliurethane cable, compensated
0000	
15	length in meter
000	
000	



DRUCK & TEMPERATUR Leitenberger GmbH
Postfach 64 • D-72136 Kirchentellinsfurt • Germany
Tel.: 0 71 21 - 9 09 20 - 0 • Fax: 0 71 21 - 9 09 20 - 99
E-Mail: dt-info@leitenberger.de
INTERNET-Site: http://www.leitenberger.de