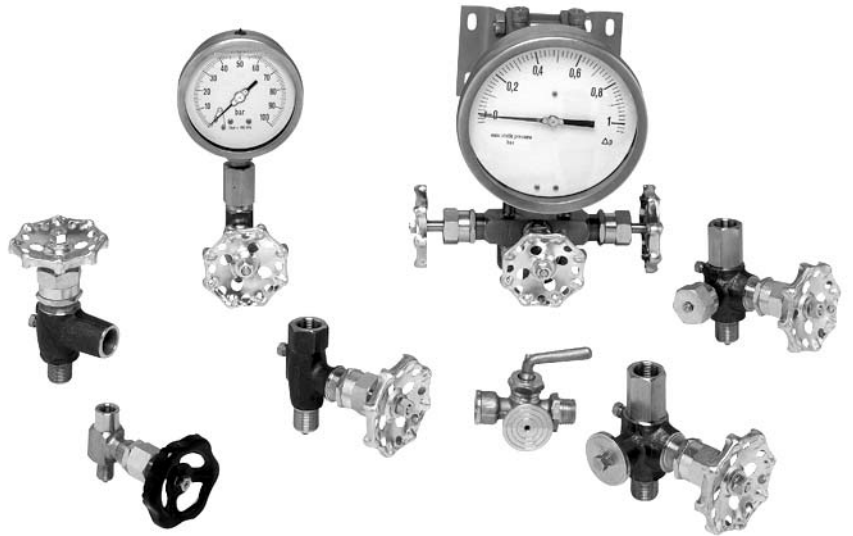


Cocks and Valves

Type 05



05.02F - Three way cock, with a $\varnothing 40$ mm flanged connection for test pressure gauge.

Body: brass.

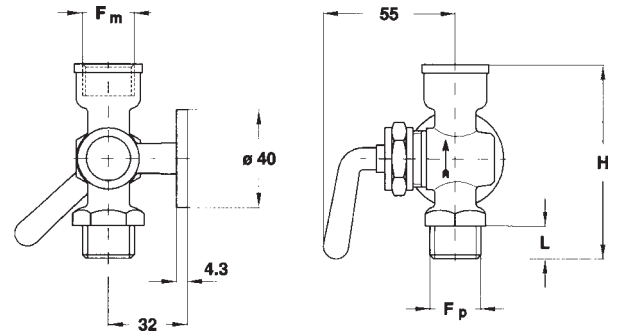
Cylindrical needle plug: brass.

Wheel: brass.

Seal: mechanical.

Nominal pressure: 16 bar.

Working temperature: +10...+180 °C.



Weight: 0,38 Kg.

Fp-Fm	Code	L	H
1/4" BSP M x 1/4" BSP F	21M-21F	11	67
3/8" BSP M x 3/8" BSP F	31M-31F	13	74
1/2" BSP M x 1/2" BSP F	41M-41F	14	80

(dimensions : mm.)

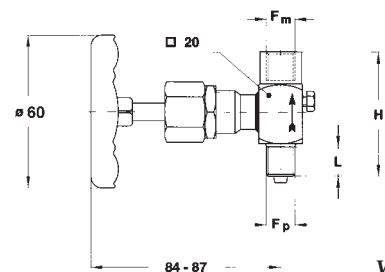
05.330 - Two way needle valve; DN 1/4".

Body: Carbon steel and AISI 316 st.st.

Needle plug: AISI 420 st. with carbon steel body;
AISI 316 st.st. stelite tipped with AISI 316 st.st. body.

Wheel: painted steel plate.

Packing seal: PTFE.



Weight: 0,28 Kg.

Body	Code	PN	°C
Aq 42 c.st.	3	150	-10...+180
AISI 316 st.st.	4	150	-10...+180

Fp-Fm	Code	L	H
1/4" BSP F x 1/4" BSP F	21F-21F	-	60
1/4" BSP M x 1/4" BSP F	21M-21F	15	57
1/4" NPT F x 1/4" NPT F	23F-23F	-	60
1/4" NPT M x 1/4" NPT F	23M-23F	15	60

(dimensions : mm.)

Cocks and Valves

Type 05

Constructive characteristics for 2, 3 ways valves

Body: ASTM A/105 carbon steel, AISI 316 st.st., drop-forged.

Needle plug: AISI 420 st. with ASTM A/105 c. st. body;

AISI 316 st.st. stelite tipped with AISI 316 st.st. body.

Seat: AISI 316 st.st.; deposited AISI 316 st.st. for ASTM A/105 c.st. body.

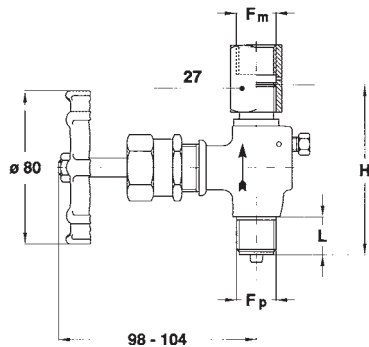
Wheel: ribbed galvanized steel plate.

Gasket seal: PTFE (or TBA for temperature > 180 °C).

Body	Code	PN	°C
ASTM A/105 c.st.	3	400	-20...+350
AISI 316 st.st.	4	640	-30...+550

05.340 - Two ways valve with a bleeding screw.

Type UNI 4669, UNAV 8828.1, DIN 16270.

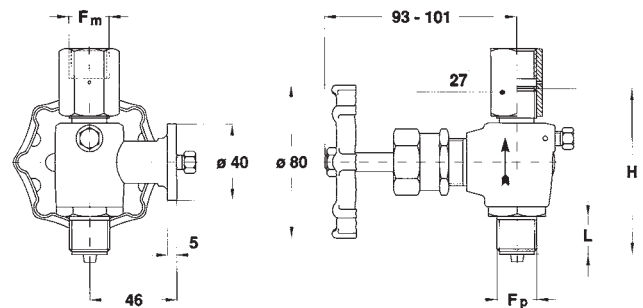


Weight: 0,73 Kg.

Fp-Fm	Code	L	H
1/4" BSP M x 1/2" BSP F (c.st. only)	21M-41F	17	89
1/2" BSP M x 1/2" BSP F	41M-41F	20	89

(dimensions : mm.)

05.34F - Three ways valve, with a ø 40 mm flanged connection for test pressure gauge and bleeding screw.



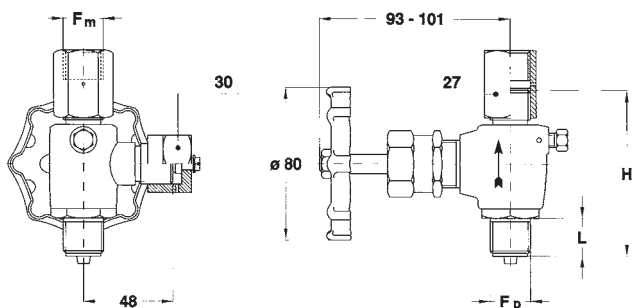
Weight: 1 Kg.

Fp-Fm	Code	L	H
1/4" BSP M x 1/2" BSP F (AISI 316 st.st. only)	21M-41F	17	88
1/2" BSP M x 1/2" BSP F	41M-41F	20	88

(dimensions : mm.)

05.350 - Three ways valve with threaded connection for test pressure gauges. Type UNI 4670, UNAV 8830.1, DIN 16271.

16271.

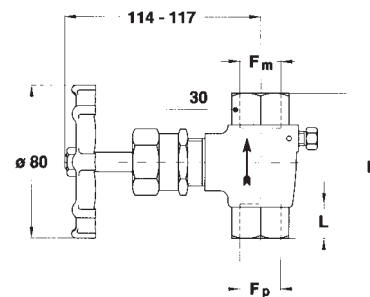


Weight: 1 Kg.

Fp-Fm	Code	L	H
1/4" BSP M x 1/2" BSP F (c.st. only)	21M-41F	17	88
1/2" BSP M x 1/2" BSP F	41M-41F	20	88

(dimensions : mm.)

05.370 - Two ways valve with bleeding screw.



Weight: 0,74 Kg.

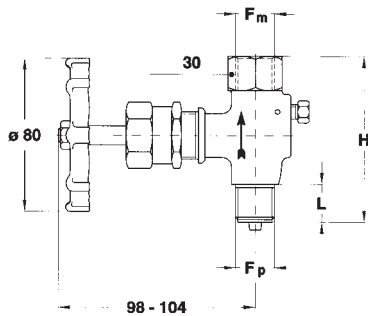
Fp-Fm	Code	L	H
1/4" welding x 1/4" welding	2A0-2A0	17	77
1/2" welding x 1/2" welding	4A0-4A0	18	77

(dimensions : mm.)

Cocks and Valves

Type 05

05.360 - Two ways valve with bleeding screw.

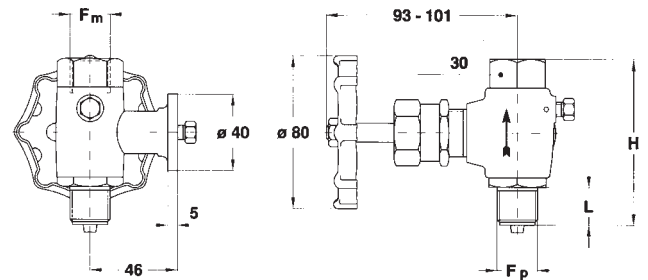


Weight: 0,65 Kg.

Fp-Fm	Code	L	H
1/4" BSP F x 1/2" BSP F	21F-41F	17	77
1/4" BSP M x 1/2" BSP F	21M-41F	17	88
1/2" BSP F x 1/2" BSP F	41F-41F	20	77
1/2" BSP M x 1/2" BSP F	41M-41F	20	88
1/4" NPT F x 1/2" NPT F	23F-43F	-	77
1/4" NPT M x 1/2" NPT F	23M-43F	17	88
1/2" NPT F x 1/2" NPT F	43F-43F	-	77
1/2" NPT M x 1/2" NPT F	43M-43F	20	88

(dimensions : mm.)

05.36F - Three ways valve, with a ø 40 mm flanged connection for test pressure gauge and bleeding screw.



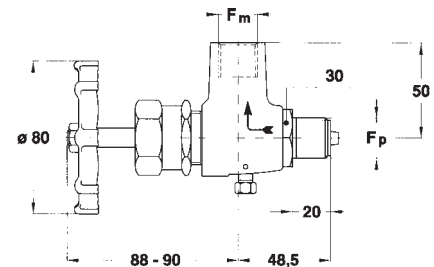
Weight: 0,92 Kg.

Fp-Fm	Code	L	H
1/4" BSP F x 1/2" BSP F	21F-41F	17	77
1/4" BSP M x 1/2" BSP F	21M-41F	17	88
1/2" BSP F x 1/2" BSP F	41F-41F	20	77
1/2" BSP M x 1/2" BSP F	41M-41F	20	88
1/4" NPT F x 1/2" NPT F	23F-43F	-	77
1/4" NPT M x 1/2" NPT F	23M-43F	17	88
1/2" NPT F x 1/2" NPT F	43F-43F	-	77
1/2" NPT M x 1/2" NPT F	43M-43F	20	88

(dimensions : mm.)

05.380 - Two ways angle (90°) valve with bleeding screw.

Fp-Fm	Code
1/2" BSP M x 1/2" BSP F	41M-41F
1/2" NPT M x 1/2" NPT F	43M-43F



Weight: 0,83 Kg.

Constructive characteristics

05.060 - Duplex valve.

Body: ASTM A/105 carbon steel, AISI 316 st.st., drop-forged.

Needle plug: AISI 420 st. with ASTM A/105 c. st. body;

AISI 316 st.st. stelite tipped with AISI 316 st.st. body.

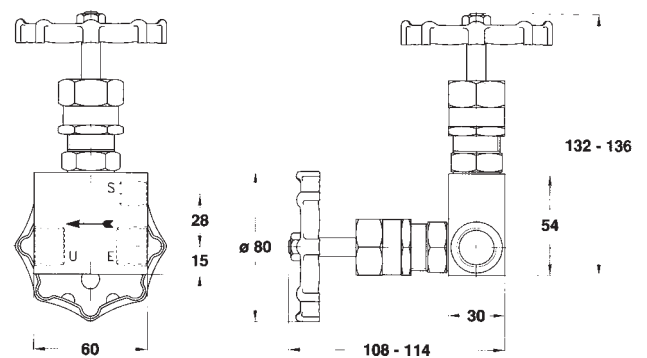
Seat: AISI 316 st.st.

Wheel: ribbed galvanized steel plate.

Gasket seal: PTFE (or TBA for temperature > 180 °C).

Process connection: 1/2" NPT F.

Drain connection: 1/4" NPT F.



(dimensions : mm.)

Weight: 1,22 Kg.

Body	Code	PN	°C
ASTM A/105 c.st.	3	400	-20...+350
AISI 316 st.st.	4	640	-30...+550

Constructive characteristics

05.050 - By-pass valve.

Body: AISI 316 st.st., bar-stock.

Needle plug: AISI 316 st.st. stelite tipped.

Wheel: ribbed galvanized steel plate.

Gasket seal: PTFE (or TBA for temperature > 180 °C).

Nominal pressure: 200 bar.

Working temperature: -20...+350 °C.

Fp-Fm	Code	L	H
1/4" BSP M x 1/4" BSP F	21M-21F	17	82
1/2" BSP M x 1/2" BSP F	41M-41F	20	80
1/4" NPT M x 1/4" NPT F	23M-23F	17	82
1/2" NPT M x 1/2" NPT F	43M-43F	20	80

(dimensions : mm.)

HOW TO ORDER

DESCRIPTION & CODE

05 05 - accessories MP3

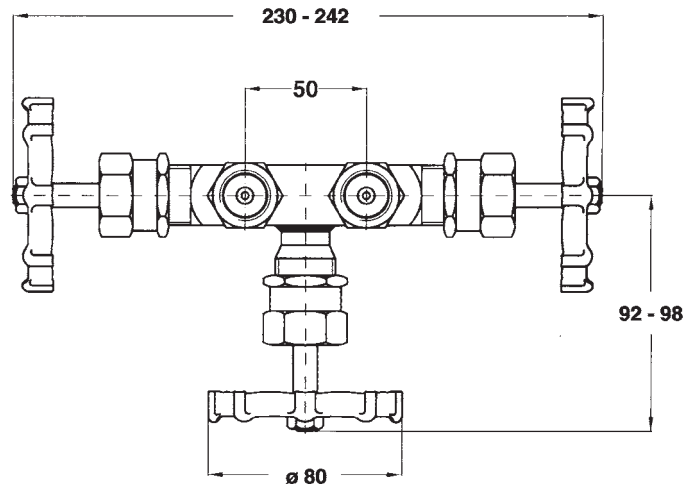
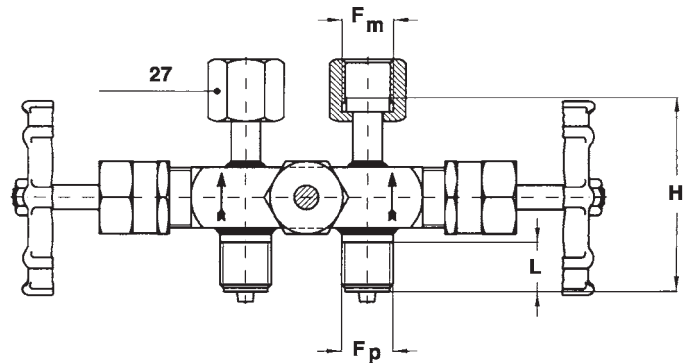
02F - three ways cock
 330 - compact two ways valve
 340 - normalized two ways valve
 34F - three ways valve with flange
 350 - normalized three ways valve
 360 - two ways valve
 36F - three ways valve with flange
 370 - two ways valve, socket welding
 380 - two ways angle (90°) valve
 060 - duplex valve
 050 - by-pass valve

4 0 - brass
 3 - carbon steel
 4 - AISI 316 st.st.

41M Process connection
 21F - 1/4" BSP F
 31M - 3/8" BSP M
 21M - 1/4" BSP M
 41M - 1/2" BSP M
 23F - 1/4" NPT F
 23M - 1/4" NPT M
 43F - 1/2" NPT F
 43M - 1/2" NPT M
 2A0 - 1/4" welding
 4A0 - 1/2" welding

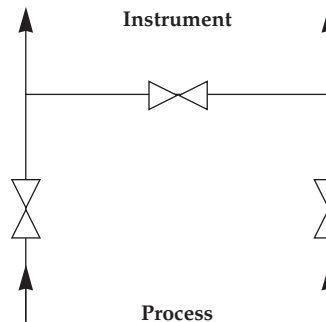
41F Instrument connection
 21F - 1/4" BSP F
 23F - 1/4" NPT F
 41F - 1/2" BSP F
 43F - 1/2" NPT F
 2A0 - 1/4" welding
 4A0 - 1/2" welding

P02 see options table



(dimensions : mm.)

Weight: 1,50 Kg.



OPTIONS

Description	Code
Oxygene service	P02
Tag punching	P04
Flushing hole (for 05.350 only)	SP1
"all stainless steel" version for AISI 316 st.st. valves (1)	TAI

(1) Not available for 05.02F and 05.330 models.

IMPORTANT:

The minimum quantity for all on this datasheet shown types is 10 pcs. per execution/type.



DRUCK & TEMPERATUR Leitenberger GmbH
 Postfach 64 • D-72136 Kirchentellinsfurt • Germany
 Tel.: 0 71 21 - 9 09 20 - 0 • Fax: 0 71 21 - 9 09 20 - 99
 E-Mail: dt-info@leitenberger.de
 INTERNET-Site: <http://www.leitenberger.de>