

# diaphragm seal, with threaded connection

## Type 04.367

04.367



Diaphragm seals are designed to isolate the sensing element of pressure gauges DS 63 and electronic transmitter from process fluids which may be corrosive, viscous, sedimentous and/or with a high temperature. The diaphragm is welded to the top housing and leak proof tested, to guarantee a separation between process fluid and fill transmission fluid. This construction feature and its compact design suits many application that require frequent maintenance.

### Functional and constructive characteristics

**Ranges:** 0...40 / 0...400 bar (for DS63 only).

**Process temperature:** -45°C...+150°C.

**Accuracy\*:** (add to instrument accuracy)  $\pm 1\%$  for direct mounting only.

**Diaphragm:** AISI 316 L st.st., welded.

**Process connection:** AISI 316 st.st. threaded 3/4" BSP M.

**Filling liquid:** silicone oil type A.

### Special Version

**Filling liquids:** special filling liquids are available for special process conditions (see table FILLING LIQUIDS).

### FILLING LIQUIDS

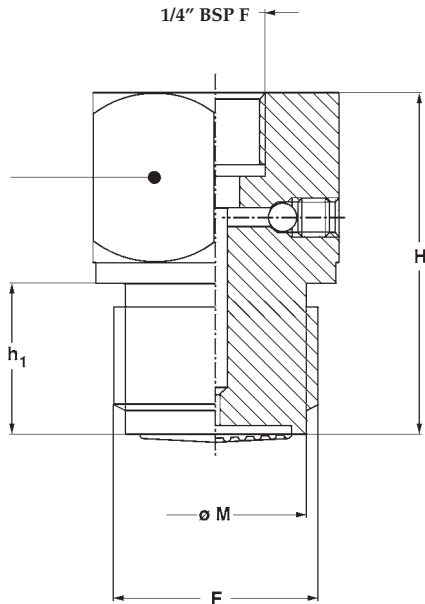
Liquid type	Limit of process temperature
Silicone oil type "A"	-45 ... +150 °C
Silicone oil type "B"	-20 ... +250 °C
Silicone oil type "C"	+20 ... +340 °C
"Fluorolube"	-60 ... +150 °C
Food oil	-20 ... +200 °C

\* at 20 °C process temperature (or state temperature when ordering)



diaphragm seal,  
with threaded connection  
Type 04.367

## DIMENSIONS (mm)



F	Code	M	h <sub>1</sub>	H	Es.
3/4" BSP M	51M	23,5	16	36,5	32

## HOW TO ORDER

CODE & DESCRIPTION	
04	04 - diaphragm seal
367	367 - compact, threaded connection
4	Process connection material 4 - AISI 316 st.st.
4	Diaphragm material 4 - AISI 316 L st.st.
51M	Process connection 51M - 3/4" BSP M
21F	Instrument connection 21F - 1/4" BSP F
R15	see options table

## OPTIONS

Description	Code
Helium Test	C05
Dye penetrant test (on welding)	P04
Oil for food industry filling	R16
Without instrument, alone	S20



**DRUCK & TEMPERATUR Leitenberger GmbH**  
Postfach 64 • D-72136 Kirchentellinsfurt • Germany  
Tel.: 0 71 21 - 9 09 20 - 0 • Fax: 0 71 21 - 9 09 20 - 99  
E-Mail: [dt-info@leitenberger.de](mailto:dt-info@leitenberger.de)  
INTERNET-Site: <http://www.leitenberger.de>