

Differential Pressure Gauge PN 100 with single diaphragm Type 02.13 - DS150

02.13



These instruments are used to check filter obstructions, pressure drops, flow rate differences, level, measurements and generally the difference between two pressures of equal or different circuits. In presence of high temperature, high viscosity and corrosive process fluid, these instruments can be fitted with remote mounting diaphragm seals

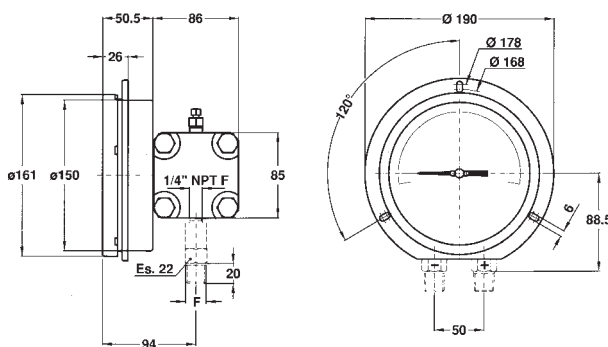
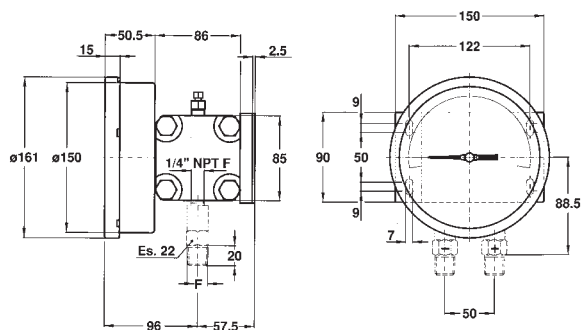
Functional and constructive characteristics

Accuracy: $\pm 1,6\%$ of the full scale value.
Scale amplitude: 180.
Static pressure: max 100 bar
Ambient temperature: $-25...+65$ °C.
Process fluid temperature: $+150$ °C.
Protection: IP 55 as per IEC 529.
Process connection: AISI 316L st.st.
Elastic element: Duratherm diaphragm.
Gasket: VITON and PTFE.
Case: AISI 304 st.st.
Ring: AISI 304 st. st., bayonet lock.
Window: glass, 4 mm. thick.
Movement: stainless steel.
Dial: aluminium, white with black markings.
Pointer: aluminium, micrometric adjustable.
Window gasket: EPDM.
Blow out vent: EPDM.

RANGES

RANGES	mbar	mmH ₂ O	bar	kPa
0...0,6			◆	
0...1			◆	
0...1,6			◆	
0...2,5			◆	
0...4			◆	
0...6			◆	
0...10			◆	
0...16			◆	
0...25			◆	
0...40				◆
0...60				◆
0...100				◆
0...160				◆
0...250				◆
0...400	◆			◆
0...600	◆			◆
0...1000	◆			◆
0...1600	◆			
0...2500	◆			
0...4000		◆		
0...6000		◆		
0...10000		◆		

TYPES, DIMENSIONS AND WEIGHTS (mm)



TYPE C
surface mounting, back flange;
lower connections.

TYPE E
panel mounting, front flange;
lower connections.

ORDER-CODE:

02	02- differential pressure gauges
13	13 - differential press. gauges MD13
1	dry, not filled
C	C - lower connections - back flange E - lower connections - front flange
E	G - DS 150
0...1 bar	see ranges table
23F	23F - 1/4-18 NPT female 41M - 1/2" BSP male 43M - 1/2-14 NPT male
C40	see Options tables

OPTIONS

Description	Code
Inductive and mechanical electric contacts (1)	---
AISI 316 st.st. case and ring	C40
Protection IP65	E65
Maximum pointer IP65 on Plexiglas window	L22
Special dial	Q01
Case glycerine filling (Ambient Temperature +15...+65).	R10
Case silicone oil filling (Ambient Temperature -40...65) (2)	R11
2" pipe mounting bracket	S31
Tropicalization	T01
Stainless steel label	T25
Plexiglas window	T31
Safety glass window	T32

- (1) codes, descriptions and wiring on data-sheet MN14
(2) window gasket and blow out vent: VITON

**OPTIONS FOR REMOTE MOUNTING,
WITH DIAPHRAGM SEAL**

Description	Code
n.2 diaphragm seals mounting (3)	M30
St.st. capillary, covered with st.st. armour, 1 mt	CP1
St.st. capillary, covered with st.st. armour, 2 mt	CP2
St.st. capillary, covered with st.st. armour, 3 mt	CP3
St.st. capillary, covered with st.st. armour, 4 mt	CP4
St.st. capillary, covered with st.st. armour, 5 mt	CP5
St.st. capillary, covered with st.st. armour, 6 mt	CP6

- (3) with diaphragms > Ø 63 mm. only (models 04.1B0, 04.3B0 or 04.600)



DRUCK & TEMPERATUR Leitenberger GmbH
Postfach 64 • D-72136 Kirchentellinsfurt • Germany
Tel.: +49-7121-9 09 20 - 0 • Fax: +49-7121-9 09 20 - 99
E-Mail: DT-Export@Leitenberger.de
Internet: www.Leitenberger.com