

# Bellows Type Pressure Gauge

## Type 02.12 - DS 100-150

02.12



Designed to indicate very low pressure & vacuum of gas, or not cristalising fluid within the range 0...25 mbar to 0...600 mbar.

### Functional and constructive characteristics.

02.12

**Accuracy class:** 1,6 as per EN 837.

**Ambient temperature:** -25...+65 °C.

**Process temperature:** max +100 °C.

**Working pressure:** max 75% of the full scale value .

**Over pressure limit:** 30% of the full scale value.

**Internal stops (Option F03):** 500% of the full scale value, not over 2 bar.

**Thermal drift:** ±0,4% every ±10°C of ambient temperature.

**Protection:** IP 55 as per IEC 529.

**Socket material:** AISI 316 st.st.

**Elastic element:** AISI 316 st.st. bellow.

**Gasket:** Viton o-ring.

**Pivot:** AISI 303 st.st.

**Bellow container:** AISI 304 st.st.

**Case:** AISI 304 st.st.

**Ring:** AISI 304 st.st., bayonet lock.

**Window:** glass, 4 mm thick.

**Movement:** stainless steel.

**Dial:** aluminium, white with black markings.

**Special dials:** ranges different from standard, or custom artwork, available on request.

**Pointer:** aluminium, micrometric adjustable.

**Gasket:** EPDM.

**Blow out vent:** EPDM.

### OPTIONS - "E" = DS100; "G" = DS150.

DESCRIPTION	CODE	02.12
Inductive and mechanical electric contact (1)	---	EG
Case and ring AISI 316 st.st.	C40	G
Internal stops	F03	EG
Accuracy ±1,0%	K10	EG
Maximum pointer IP 55	L22	EG
Vacuum & compound	M35	EG
Oxygen service M049	P02	EG
Special dial	Q01	EG
Stainless steel label	T25	EG
Plexiglas window	T31	EG
Safety glass window	T32	EG

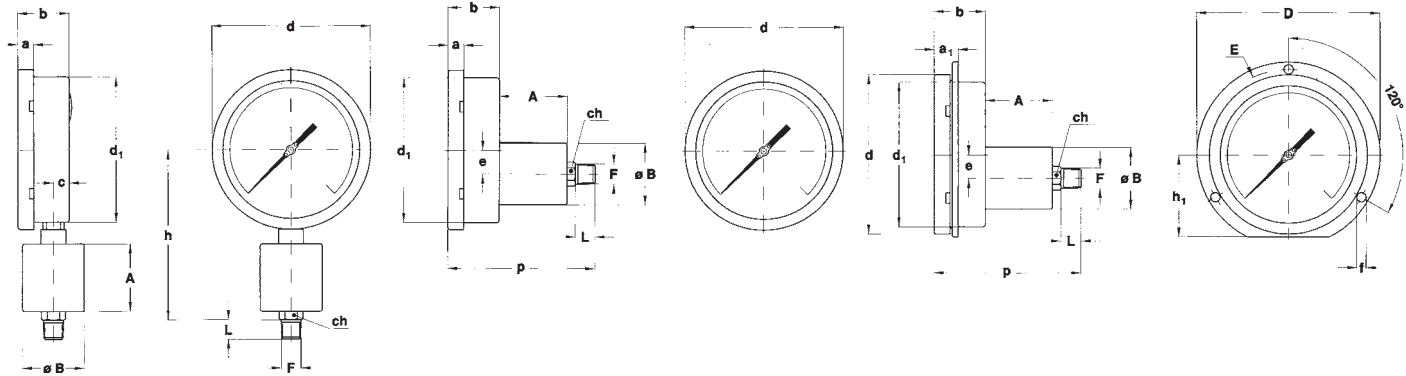
(1) Description and Codes: see datasheet MN14.

## bellows type pressure gauges

## Type 02.12 - DS 100-150

02.12

## TYPE, WEIGHTS AND DIMENSIONS (mm.)



**TYPE A**  
stem mounting;  
lower connection.

**TYPE D**  
stem mounting;  
back connection.

**TYPE E**  
flush mounting, front flange;  
back connection.

DS	Type	F	a <sub>1</sub>	a	A (1)	b	ø B (1)	d	d <sub>1</sub>	D	c	e	E	f	L	ch	h (1)	h <sub>1</sub>	p (1)	Weight
100	A	1/2" BSP or NPT	-	13	70÷100	48,5	64÷90	110,6	101	-	16,1	-	-	-	20	22	152÷182	-	-	1 Kg.
150	A	1/2" BSP or NPT	-	15	70÷100	50,5	64÷90	161,6	149,6	-	16,5	-	-	-	20	22	176÷206	-	-	1,45 Kg.
150	D	1/2" BSP or NPT	-	-	70÷100	53,5	64÷90	163,5	148,5	-	-	24	-	-	20	22	-	-	132,5÷162,5	1,85 Kg.
150	E	1/2" BSP or NPT	25	-	70÷100	53,5	64÷90	163,5	148,5	190	-	24	175	6	20	22	-	85	132,5÷162,5	2 Kg.

(1) dimensions depending on range.

## HOW TO ORDER

CODE &amp; DESCRIPTION

02 - Pressure Gauge

12 - bellows pressure gauge

1 - standard

A - lower connection - stem mounting

D - back connection - stem mounting

E - back connection - flush mounting, front flange

E - DS100  
G - DS1504 - up to 40 mbar  
5 - over 40 mbar

0/10 mbar - see ranges table

21M - 1/4" BSP M  
23M - 1/4" NPT M  
31M - 3/8" BSP M  
33M - 3/8" NPT M  
41M - 1/2" BSP M  
43M - 1/2" NPT M

T25 - see options table

## RANGES - "E" = DS100; "G" = DS150.

## PRESSURE

RANGES	02.12
mbar (1)	
0÷25	EG
0÷40	EG
0÷60	EG
0÷100	EG
0÷160	EG
0÷250	EG
0÷400	EG
0÷600	EG

## VACUUM (2)

RANGES	02.12
mbar (1)	
-25÷0	
-40÷0	EG
-60÷0	EG
-100÷0	EG
-160÷0	EG
-250÷0	EG
-400÷0	EG
-600÷0	EG

## COMPOUND (2)

RANGES	02.12
mbar (1)	
-15÷10	EG
-10÷15	EG
-25÷15	EG
-15÷25	EG
-20÷40	EG
-40÷20	EG
-40÷60	EG
-60÷40	EG
-60÷100	EG
-100÷60	EG
-100÷150	EG
-150÷100	EG
-150÷250	EG
-250÷150	EG
-200÷400	EG
-400÷200	EG

(1) Other unit of measurement upon request.

(2) Special dials: to be ordered with M35 option.

## ACCESSORIES

**Valves:** for construction details and for use limits refer to our catalogue.

**Pigtail and siphons:** recommended with temperatures of 65° C (150° F) or over. For further details refer to our catalogue.



**DRUCK & TEMPERATUR Leitenberger GmbH**  
Postfach 64 • D-72136 Kirchentellinsfurt • Germany  
Tel.: 0 71 21 - 9 09 20 - 0 • Fax: 0 71 21 - 9 09 20 - 99  
E-Mail: dt-info@leitenberger.de  
INTERNET-Site: http://www.leitenberger.de