

Bourdon Tube Pressure Gauge (dry)

Type 01.01 - DS 150

01.01



CE Compliance to requirement of
PED 97/23/EC

They can be used with gaseous or liquid media which do not corrode copper alloy and which do not have high viscosity or do not cristalize.

Functional and constructive characteristics.

Accuracy class: 1,6 as per EN 837-1 (optional class 1.0)

Ambient temperature: -25...+65 °C.

Process temperature: -25...+65 °C for pressure ranges - 40 bar;
-25...+120 °C for pressure ranges ³ 60 bar.

Working pressure (referred to the full scale value): max 65% for fluctuating pressure; 75% for steady pressure.

Overpressure (referred to the full scale value) : 25% for pressure ranges - 100 bar; 15% for pressure ranges > 100 bar.

Protection degree: IP 44 as per IEC 529.

Socket material: brass, with internal restrictor Ø 0,8 mm.

Elastic element: phosphor bronze for pressuse ranges - 40 bar;
AISI 316L st.st. for pressure ranges > 40 bar.

Case: AISI 304 st.st.

Ring: AISI 304 st.st., bayonet lock.

Window: tempered glass.

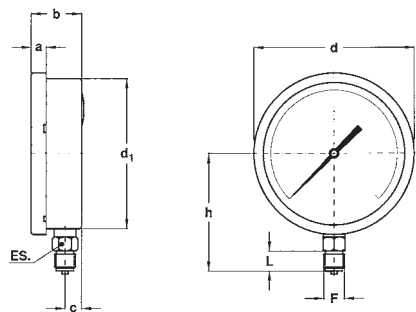
Movement: brass.

Dial: aluminium, white with black markings.

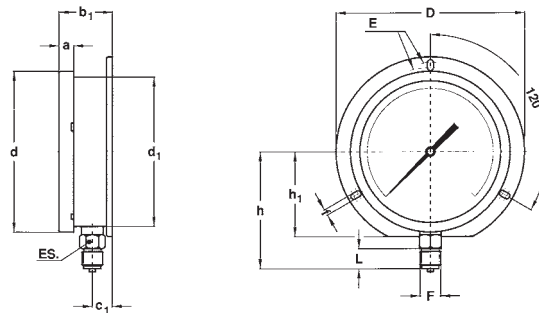
Pointer: aluminium, non-adjustable, black painted.

Window gasket and blow out vent: EPDM.

TYPES, DIMENSIONS AND WEIGHTS



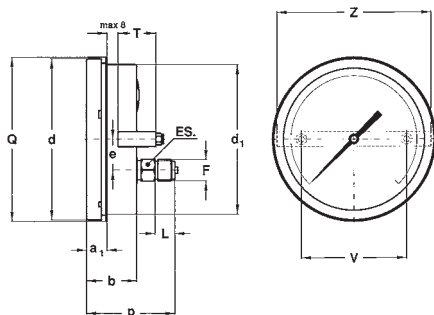
TYPE A
stem mounting;
lower connection.



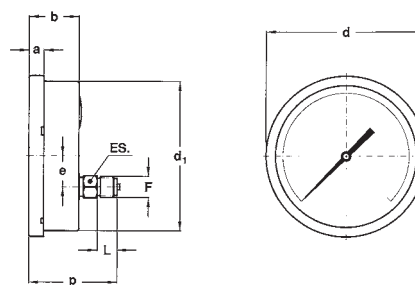
TYPE C
surface mounting, back flange;
lower connection.

DS	Type	F	a	b	b ₁	c	c ₁	d	d ₁	f	h	h ₁	D	E	L	ES	Weight
150	A	1/2" BSP, 1/2-14 NPT	15	50,5	54	16,5	20	161	149,6	6	117	85	190	168 ÷ 178	20	22	1,11 kg
	C																0,99 kg

(dimensions : mm.)



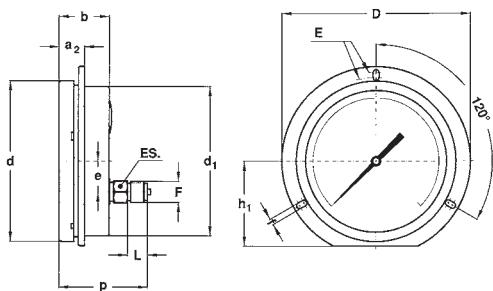
TYPE B
flush mounting, "U" clamp;
back connection.



TYPE D
stem mounting;
back connection.

DS	Type	F	a	a ₁	a ₂	b	d	d ₁	e	f	h ₁	p	D	E	Q	T	V	Z	L	ES	Weight
150	B	1/2" BSP	15	20,5	25,5	50,5	161	149,6	31	6	85	89	190	168 ÷ 178	164	41,5	106	155	20	22	0,96 kg
	D																				0,89 kg
	E	1/2-14 NPT																			1,0 kg

(dimensions : mm.)



TYPE E
flush mounting, front flange;
back connection.

RANGES

PRESSURE

TAB. 1

RANGE	bar (1)	kPa	MPa	bar ext.	bar ext. (1)	bar ext.
				psi int.	kPa int.	MPa int.
0...1	◆		◆	◆	◆	
0...1,6	◆		◆	◆	◆	
0...2,5	◆		◆	◆	◆	
0...4	◆		◆	◆	◆	
0...6	◆		◆	◆	◆	
0...10	◆		◆	◆		◆
0...16	◆		◆	◆		◆
0...25	◆		◆	◆		◆
0...40	◆		◆	◆		◆
0...60	◆	◆	◆	◆		◆
0...100	◆	◆	◆	◆		◆
0...160	◆	◆		◆		◆
0...250	◆	◆		◆		◆
0...400	◆	◆		◆		◆
0...600	◆	◆		◆		◆
0...1000	◆	◆		◆		◆
0...1600		◆				
0...2500		◆				

(1) available also kg/cm²

TAB. 2

RANGE	psi	psi int.	psi ext.	psi ext.
		kPa ext.	bar int.	kg/cm ² int.
0...15	◆	◆	◆	◆
0...30	◆	◆	◆	◆
0...60	◆	◆	◆	◆
0...100	◆	◆	◆	◆
0...160	◆	◆	◆	◆
0...200	◆	◆	◆	◆
0...300	◆	◆	◆	◆
0...400	◆	◆	◆	◆
0...600	◆	◆	◆	◆
0...800	◆	◆	◆	◆
0...1000	◆	◆	◆	◆
0...1500	◆	◆	◆	◆
0...2000	◆	◆	◆	◆
0...3000	◆	◆	◆	◆
0...4000	◆	◆	◆	◆
0...5000	◆	◆	◆	◆
0...6000	◆	◆	◆	◆
0...10000	◆	◆	◆	◆
0...15000	◆	◆	◆	◆

VACUUM & COMPOUND

TAB. 3

RANGE	bar	kPa	bar ext.	bar ext.
			psi int.*	kPa int.
-1...0	◆		◆	◆
-1...0,6	◆		◆	◆
-1...1,5	◆		◆	◆
-1...3	◆		◆	◆
-1...5	◆		◆	◆
-1...9	◆		◆	◆
-1...15	◆		◆	◆
-1...24	◆		◆	◆
-100...0		◆		
-100...150		◆		
-100...300		◆		
-100...500		◆		
-100...900		◆		
-100...1500		◆		

* vacuum unit of measurement: "inHg"

TAB. 4

RANGE	psi	psi int.*	psi ext.*	psi ext.*
		kPa ext.	bar int.	kg/cm ² int.
-30...0	◆	◆	◆	◆
-30...15	◆	◆	◆	◆
-30...30	◆	◆	◆	◆
-30...150	◆		◆	

* vacuum unit of measurement: "inHg"

OPTIONS

DESCRIPTION	CODE	
Accuracy ± 1.0%	K10	◆
Adjustable pointer	L02	◆
Maximum pointer IP 44 on plexiglas window (1)	L21	◆
Restrictor ø 0,4 mm.	S06	◆
Plexiglass window	T31	◆
Safety glass window	T32	◆

(1) accuracy class is guaranted when the indicating pointer is not affected by the maximum pointer

ORDER-CODE:

01	01- bourdon tube pressure gauges
01.1	01.1 - Type 01.01 - dry (unfilled)
C	A - lower connection - stem mounting B - back connection, flush mounting; "U" clamp C - lower connection - surface mounting, back flange D - back connection - stem mounting E - back connection, flush mounting; front flange
G	G - DS 150
0/10 bar	see ranges tables
41M	21M - 1/4" BSP 23M - 1/4-18 NPT 41M - 1/2" BSP 43M - 1/2-14 NPT
K10	see options table

ACCESSORIES

Adjustable over-load protector: this is useful for installations which may generate high overpressures; the pressure gauges is automatically excluded at the pre-set pressure and cut in again automatically when the operating pressure returns to normal. For further details refer to relevant data sheet.

Valves: for construction details and for use limits refer to relevant data sheet.

Pigtail and siphons: recommended with temperatures of 65° C (150° F) or over. For further details refer to relevant data sheet.

Pressure snubbers: for further details refer to relevant data sheet.



DRUCK & TEMPERATUR Leitenberger GmbH
 Postfach 64 • D-72136 Kirchentellinsfurt • Germany
 Tel.: +49-7121-9 09 20 - 0 • Fax: +49-7121-9 09 20 - 99
 E-Mail: DT-Export@Leitenberger.de
 Internet: www.Leitenberger.com